

WAYMOVE

One Stop Home Solutions

Order No: **WMUS25092201**

Client Name: **Alex**

Email: /

Client Address: **USA**

Room Space: **WARDROBE 1**

Carcass **VM-104**

Material **Plywood**

Door **Paint -White**

Material **MDF**

Door

Material

Drawer Handle:

Door Handle:

Remark:

Design Date:

Lead Time: 10-12 Weeks

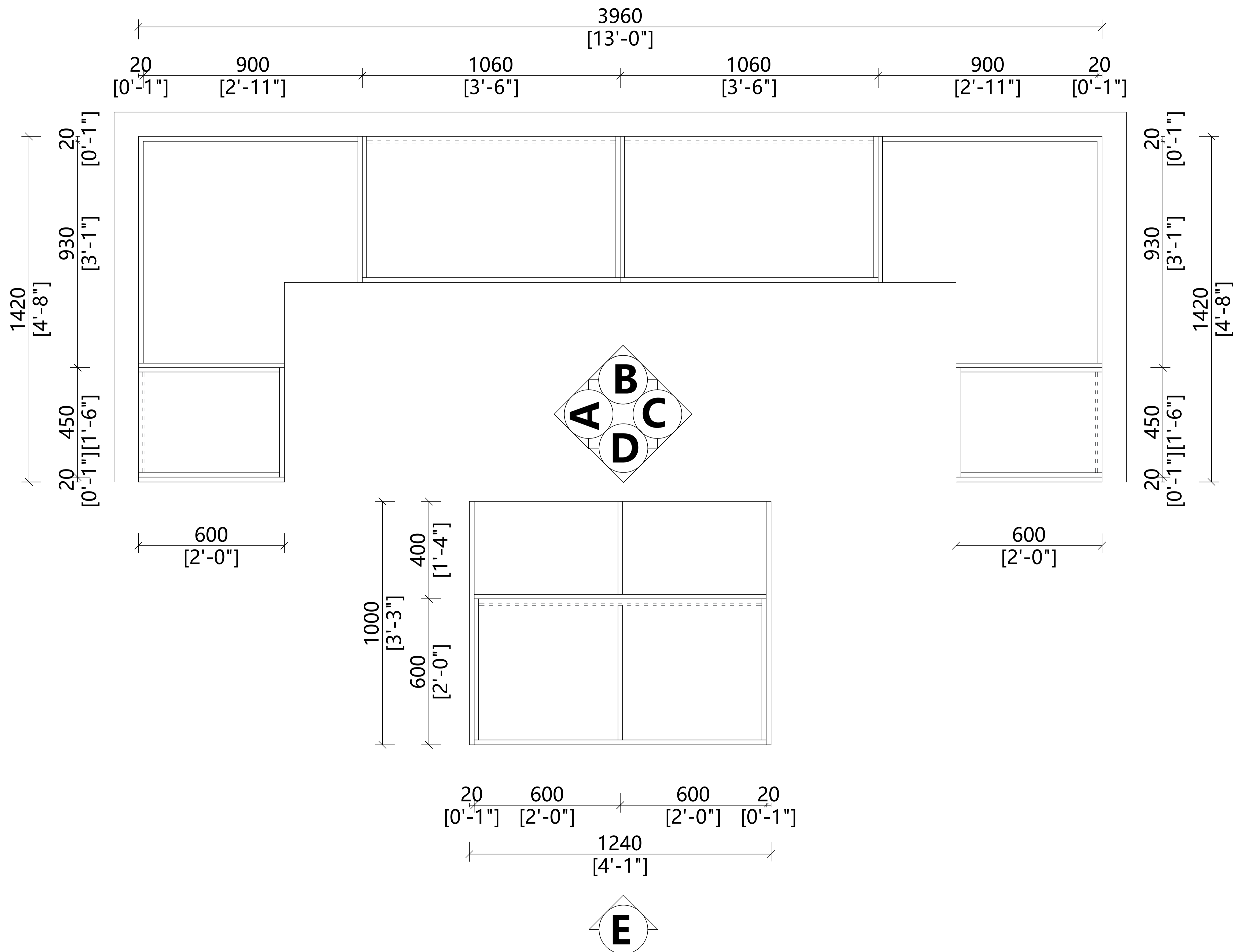
Consignee:

Date:

Designer:

Tel:

Pages **4-1**

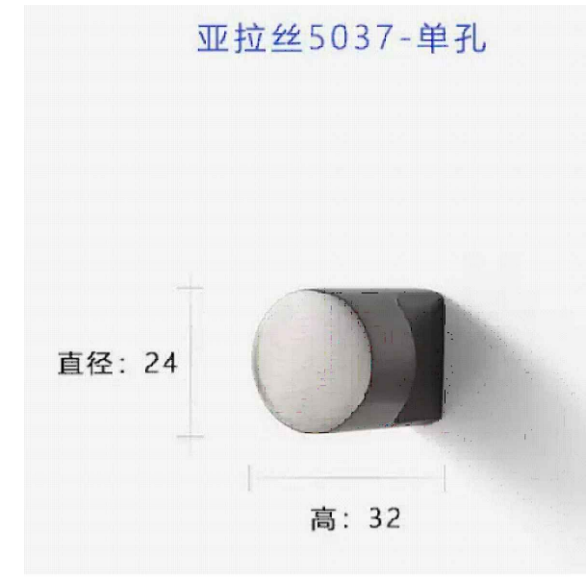




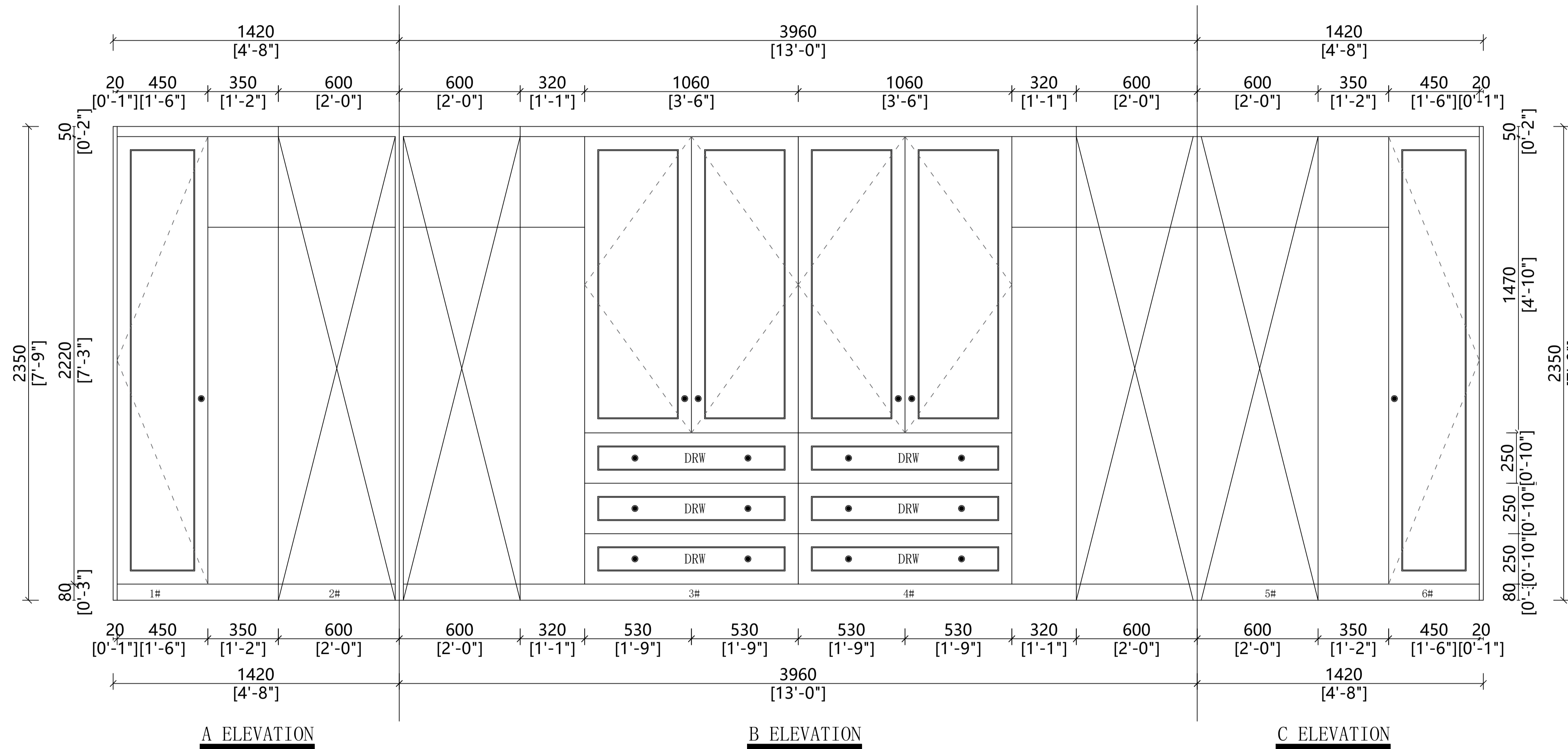
Paint -White
FIVE-PIECE CABINET DOOR



Plywood
VM-104



Handle



WAYMOVE

One Stop Home Solutions

Order No: **WMUS25092201**

Client Name: **Alex**

Email: /

Client Address: **USA**

Room Space: **WARDROBE 1**

Carcass	<input type="checkbox"/>	VM-104
Material	<input checked="" type="checkbox"/>	Plywood
Door	<input type="checkbox"/>	Paint -White
Material	<input checked="" type="checkbox"/>	MDF
Door	<input checked="" type="checkbox"/>	
Material	<input type="checkbox"/>	

Drawer Handle:

Door Handle:

Remark:

Design Date:

Lead Time: 10-12 Weeks

Consignee:

Date:

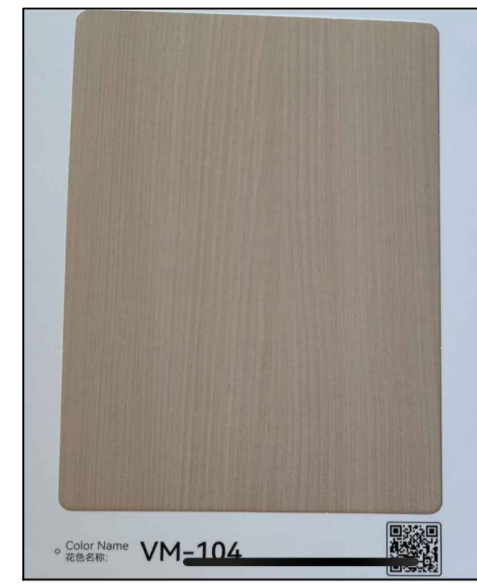
Designer:

Tel:

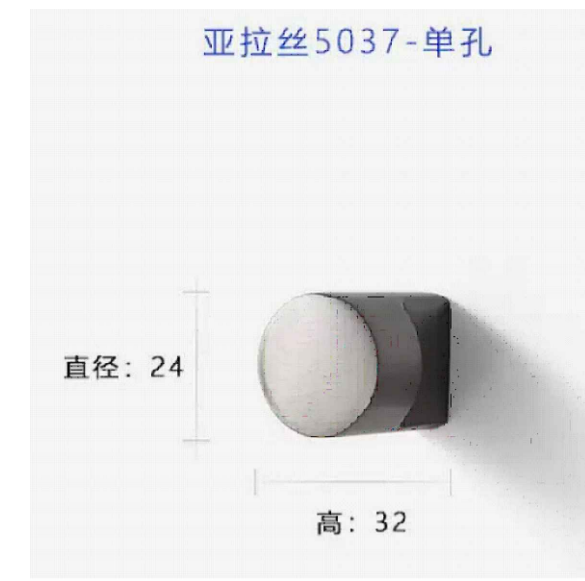
Pages **4-2**



Paint -White
FIVE-PIECE CABINET DOOR



Plywood
VM-104



Handle

WAYMOVE

One Stop Home Solutions

Order No: **WMUS25092201**

Client Name: **Alex**

Email: /

Client Address: **USA**

Room Space: **WARDROBE 1**

Carcass **VM-104**

Material **Plywood**

Door **Paint -White**

Material **MDF**

Door

Material

Drawer Handle:

Door Handle:

Remark:

Design Date:

Lead Time: 10-12 Weeks

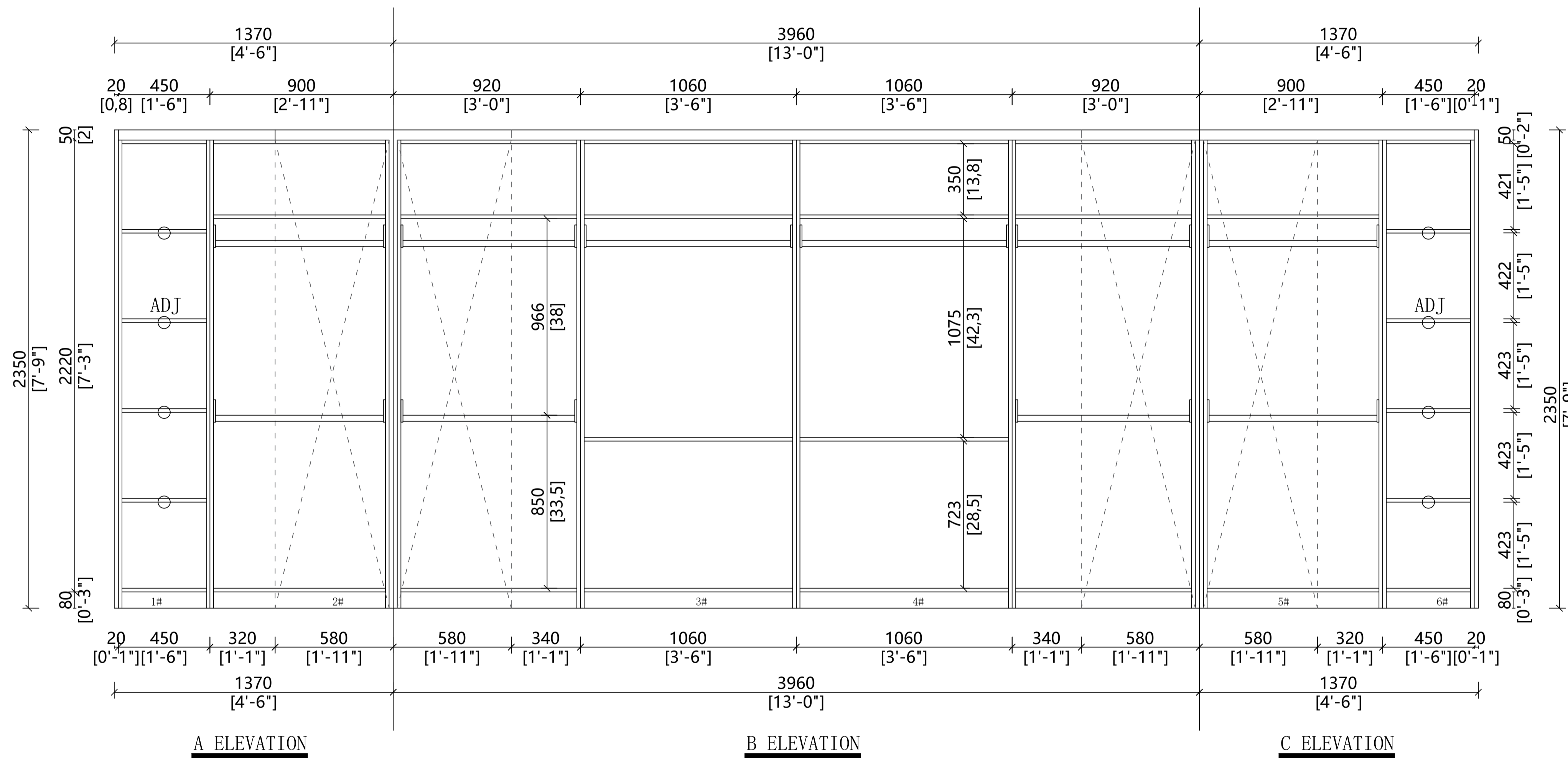
Consignee:

Date:

Designer:

Tel:

Pages **4-3**

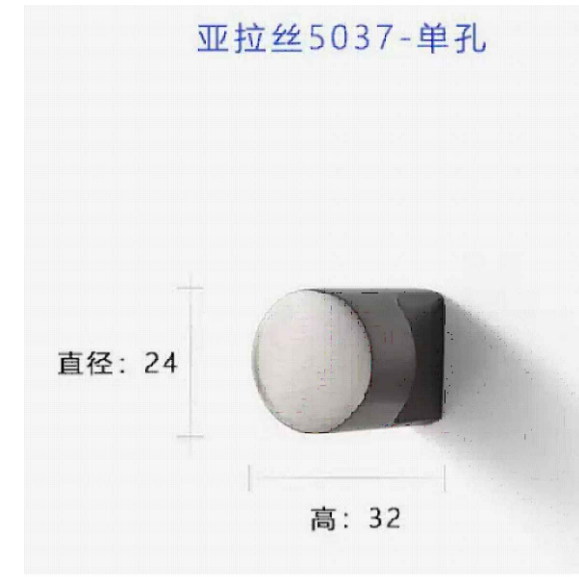




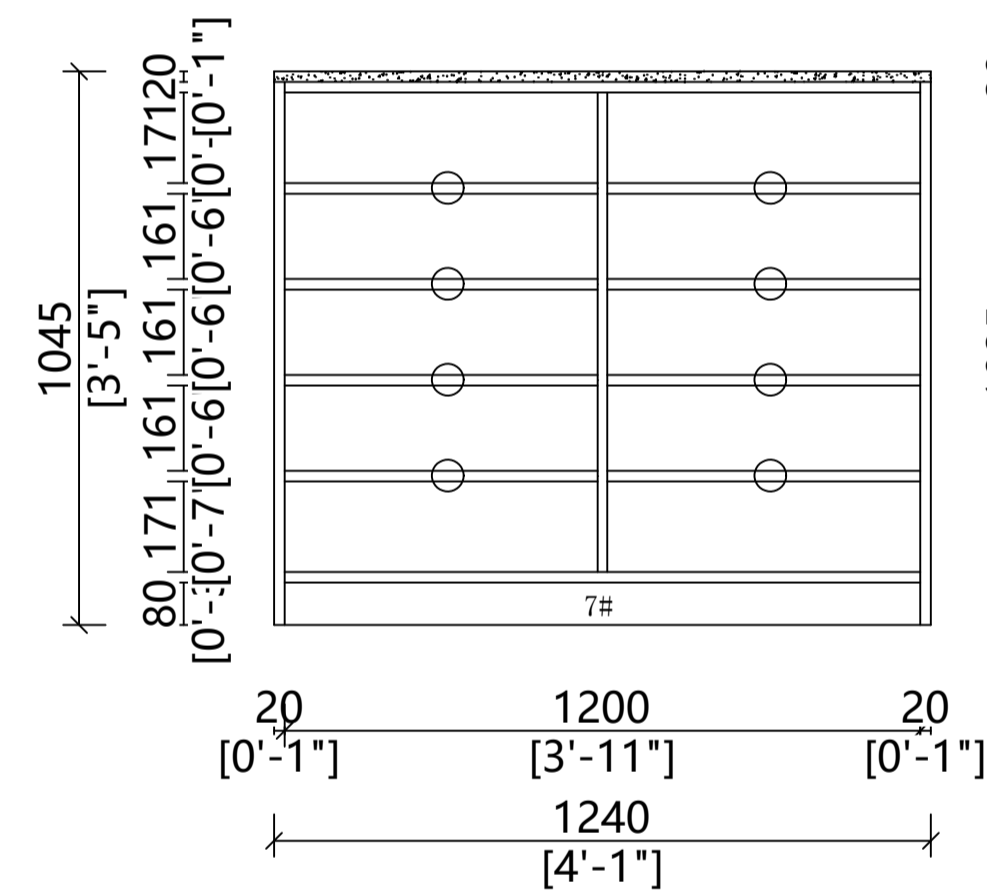
Paint -White
FIVE-PIECE CABINET DOOR



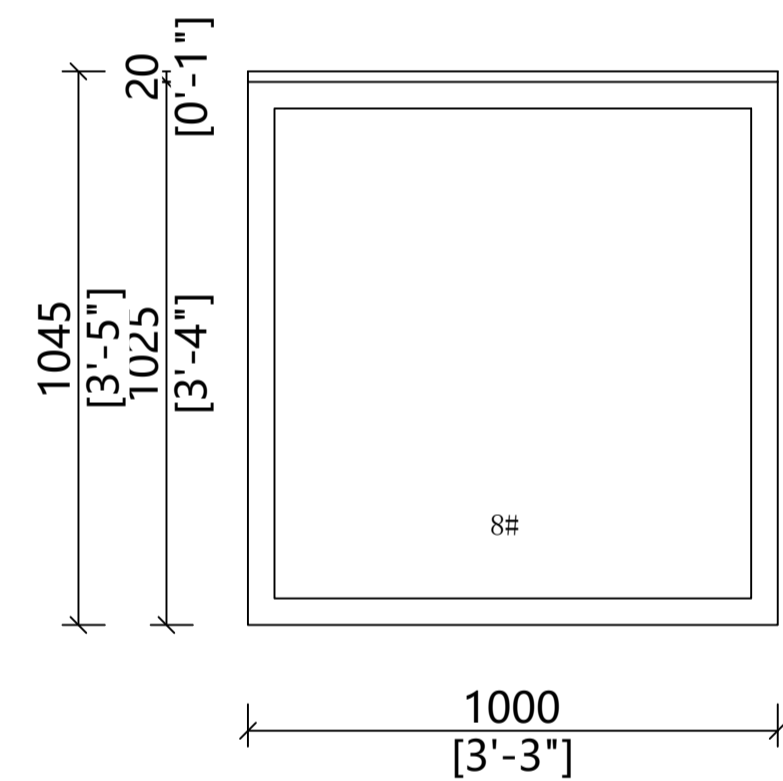
Plywood
VM-104



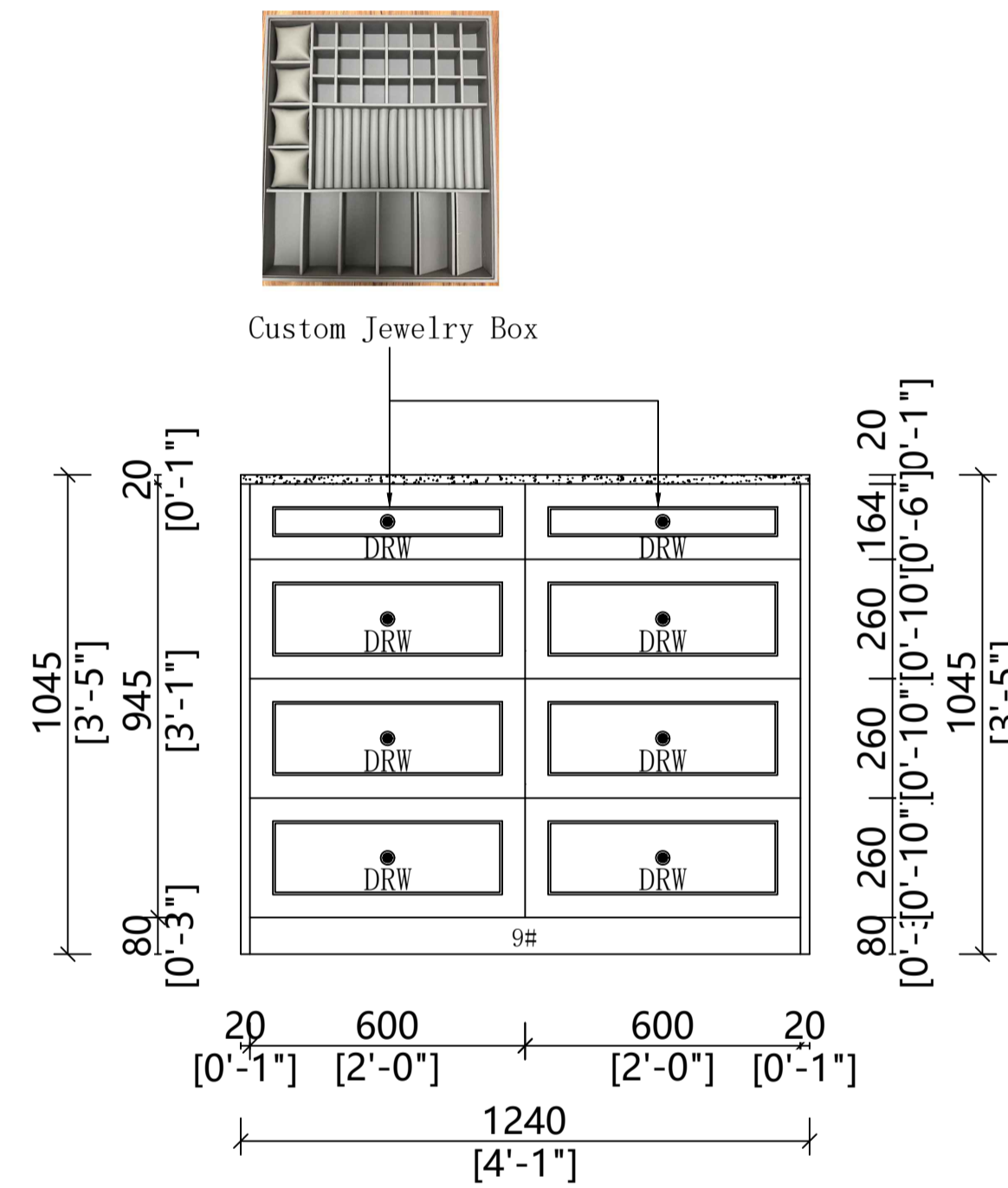
Handle



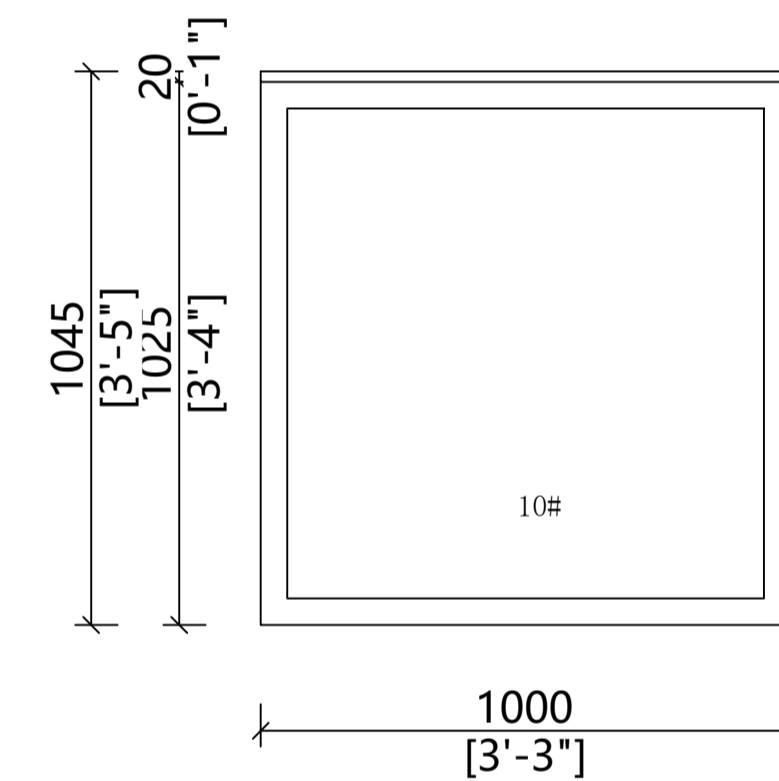
D ELEVATION



SIDE



E ELEVATION



SIDE

WAYMOVE

One Stop Home Solutions

Order No: WMUS25092201

Client Name: Alex

Email: /

Client Address: USA

Room Space: WARDROBE 1

Carcass	<input type="checkbox"/>	VM-104
Material	<input checked="" type="checkbox"/>	Plywood
Door	<input type="checkbox"/>	Paint -White
Material	<input checked="" type="checkbox"/>	MDF
Door	<input checked="" type="checkbox"/>	
Material	<input type="checkbox"/>	

Drawer Handle:

Door Handle:

Remark:

Design Date:

Lead Time: 10-12 Weeks

Consignee:

Date:

Designer:

Tel:

Pages 4-4

WAYMOVE

One Stop Home Solutions

Order No: **WMUS25092201**

Client Name: **Alex**

Email: /

Client Address: **USA**

Room Space: **BATHROOM 1**

Carcass	<input type="checkbox"/>	White
Material	<input checked="" type="checkbox"/>	Plywood
Door	<input type="checkbox"/>	Paint -White
Material	<input checked="" type="checkbox"/>	MDF
Door	<input checked="" type="checkbox"/>	
Material	<input type="checkbox"/>	

Drawer Handle:

Door Handle:

Remark:

Design Date:

Lead Time: 10-12 Weeks

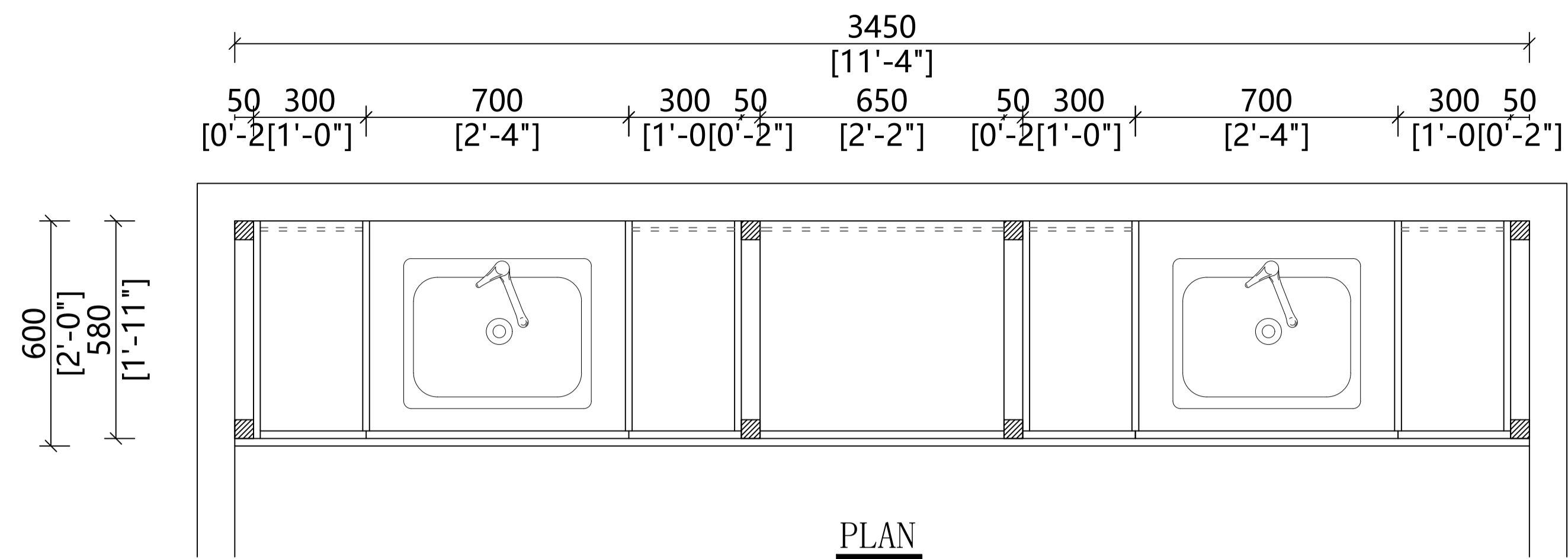
Consignee:

Date:

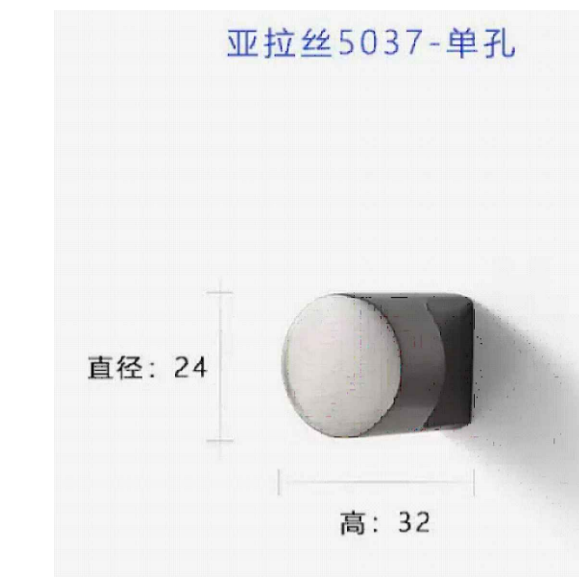
Designer:

Tel:

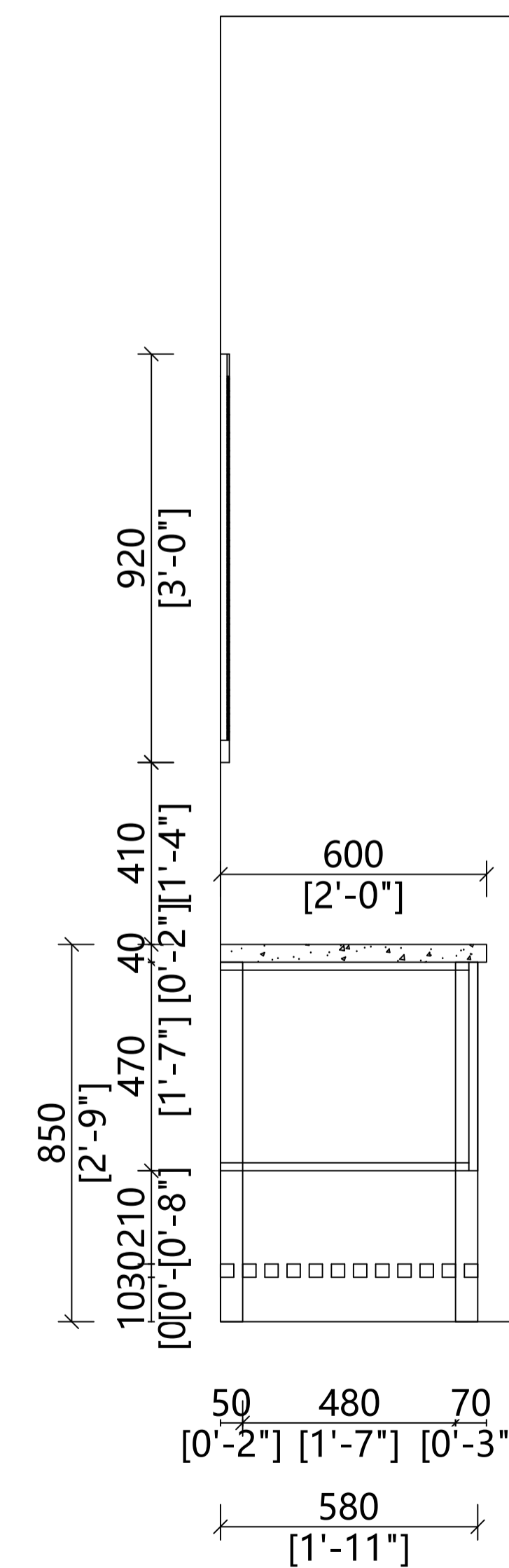
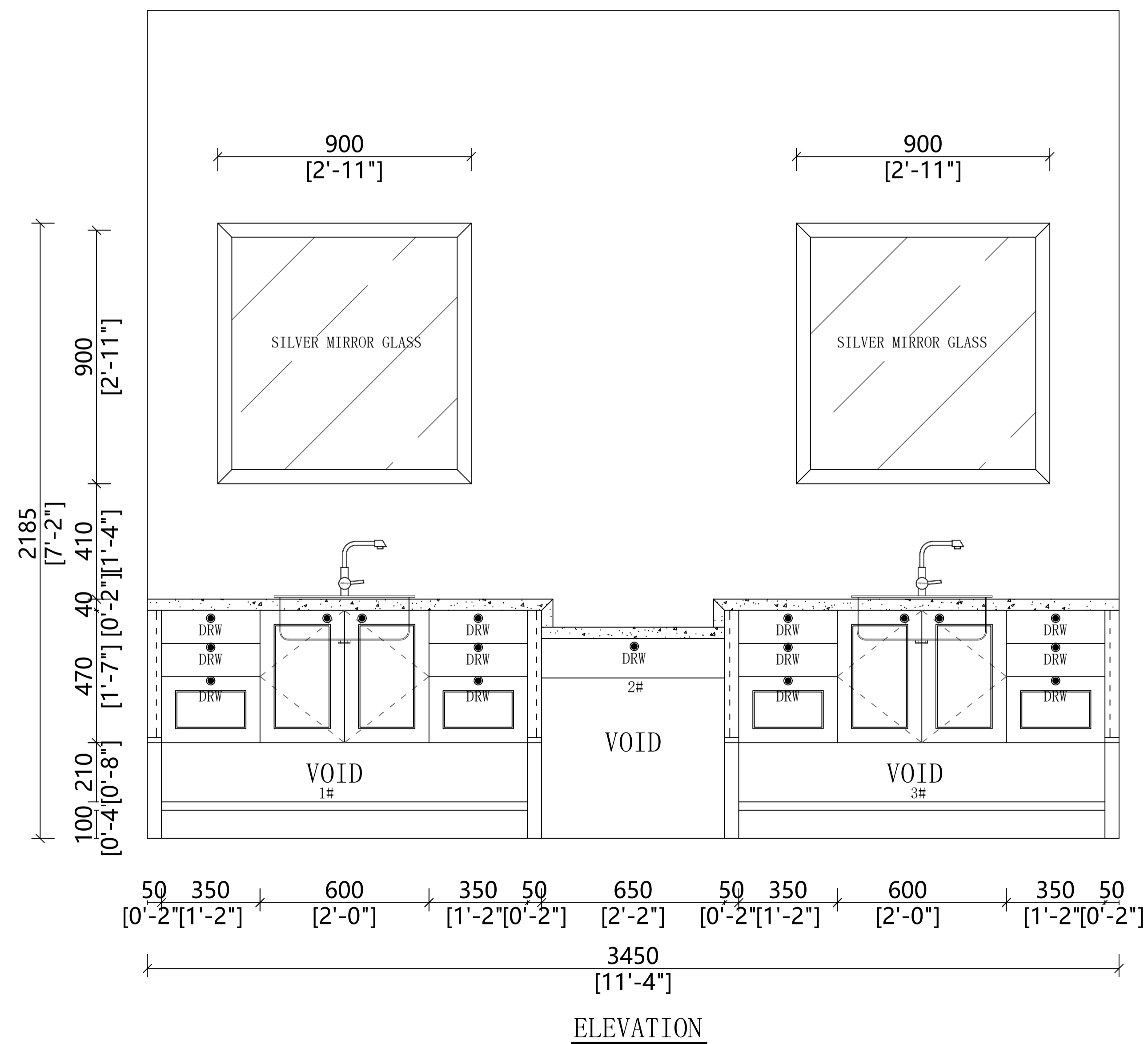
Pages **1-1**

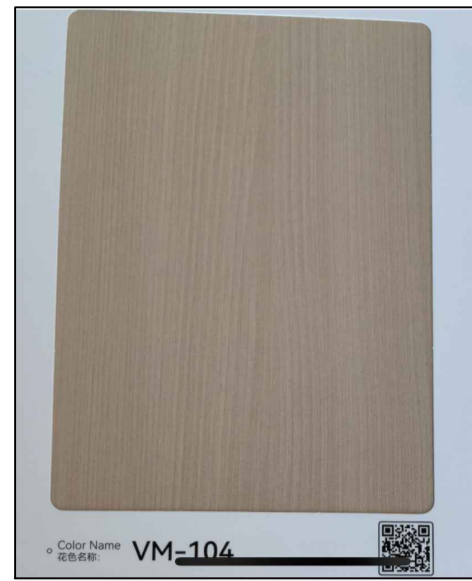


Paint -White
FIVE-PIECE CABINET DOOR



Handle

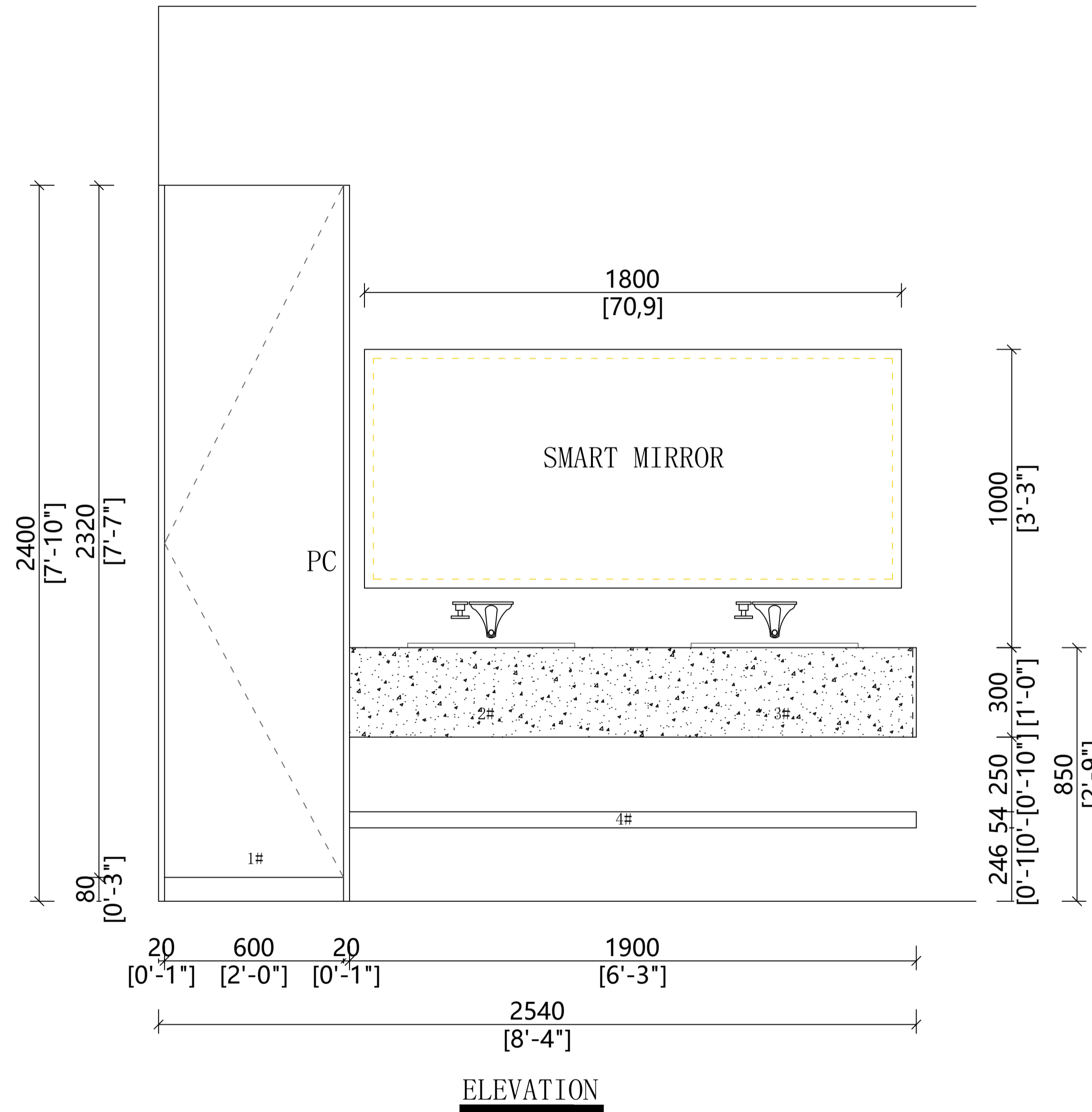
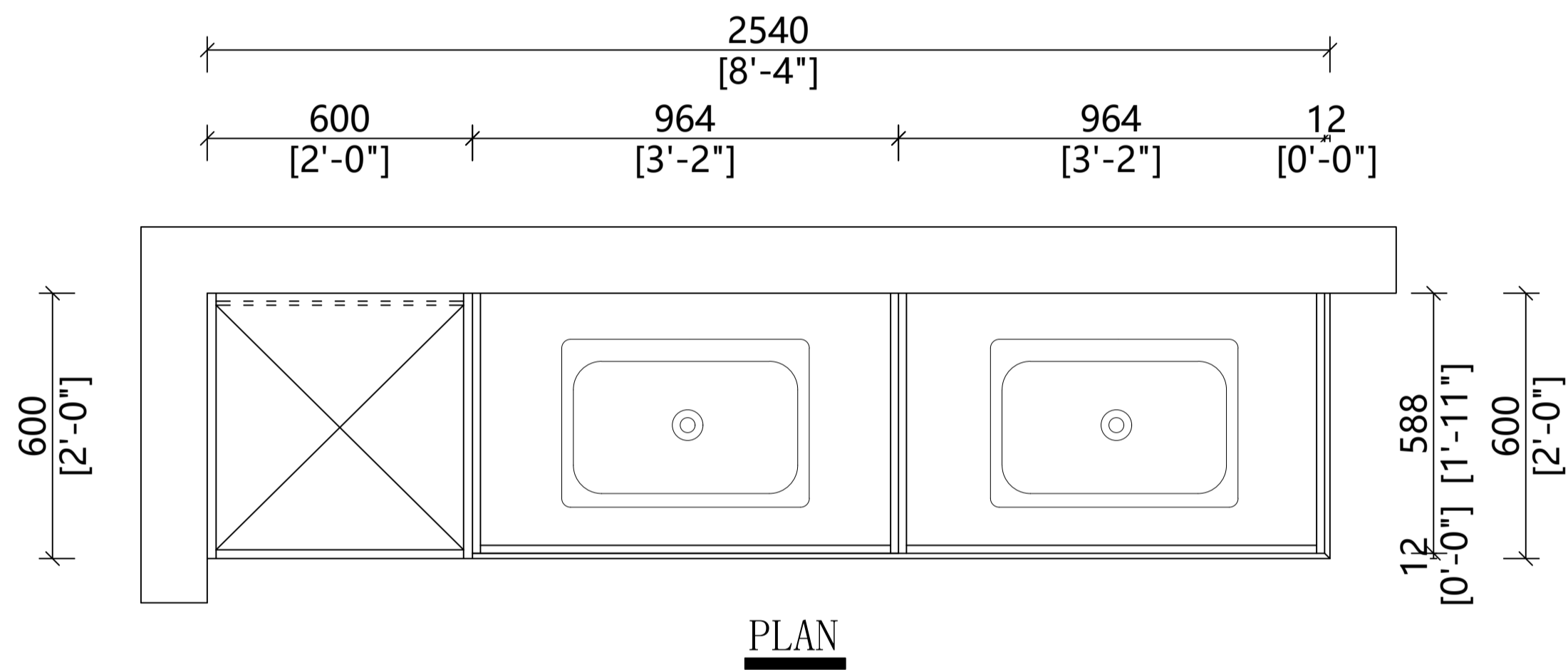




Plywood
VM-104



DELPHONE



WAYMOVE

One Stop Home Solutions

Order No: **WMUS25092201**

Client Name: **Alex**

Email: /

Client Address: **USA**

Room Space: **BATHROOM 2**

Carcass Material	<input type="checkbox"/>	VM-104
Door Material	<input checked="" type="checkbox"/>	Plywood
Door Material	<input type="checkbox"/>	VM-104
Door Material	<input checked="" type="checkbox"/>	Plywood
Door Material	<input checked="" type="checkbox"/>	
Door Material	<input type="checkbox"/>	

Drawer Handle:

Door Handle:

Remark:

Design Date:

Lead Time: 10-12 Weeks

Consignee:

Date:

Designer:

Tel:

Pages **1-1**

WAYMOVE

One Stop Home Solutions

Order No: **WMUS25092201**

Client Name: **Alex**

Email: /

Client Address: **USA**

Room Space: **WARDROBE 2**

Carcass **VM-104**

Material **Plywood**

Door **VM-104**

Material **Plywood**

Door

Material

Drawer Handle:

Door Handle:

Remark:

Design Date:

Lead Time: 10-12 Weeks

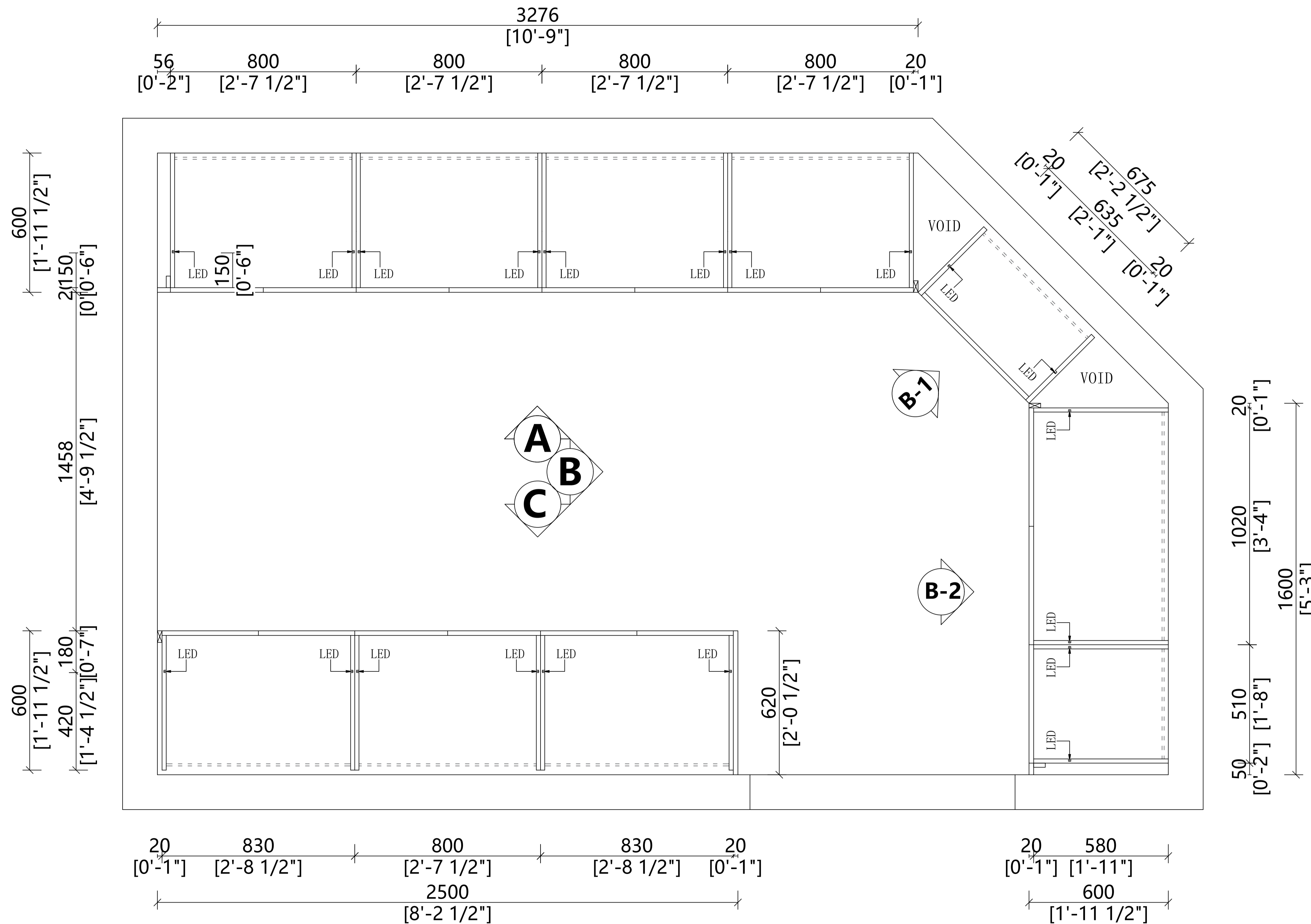
Consignee:

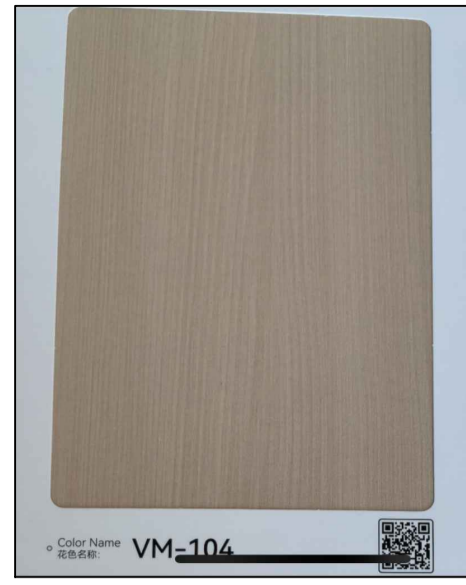
Date:

Designer:

Tel:

Pages **5-1**

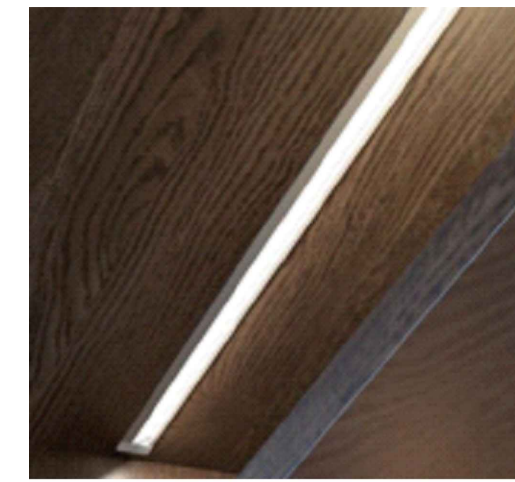




Plywood
VM-104



Aluminum Frame
Glass Door
(Gray Glass)



LED:3000K
Door Sensor Switch

WAYMOVE

One Stop Home Solutions

Order No: **WMUS25092201**

Client Name: **Alex**

Email: /

Client Address: **USA**

Room Space: **WARDROBE 2**

Carcass **VM-104**

Material **Plywood**

Door **VM-104**

Material **Plywood**

Door

Material

Drawer Handle:

Door Handle:

Remark:

Design Date:

Lead Time: 10-12 Weeks

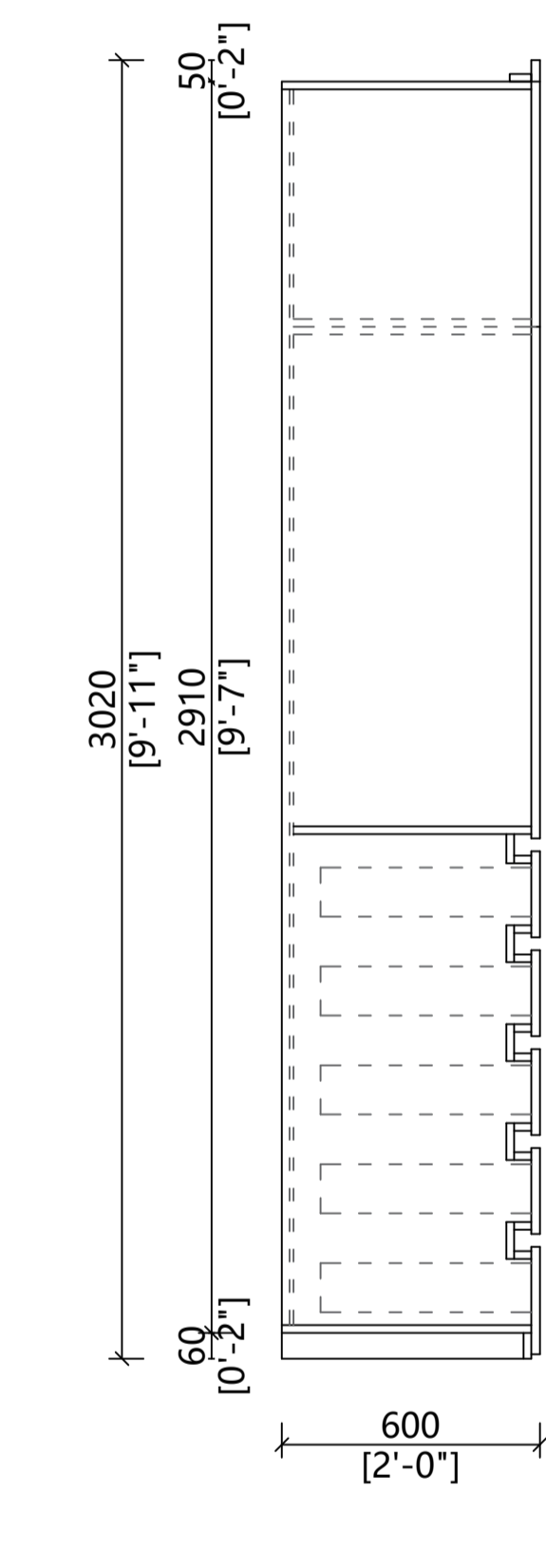
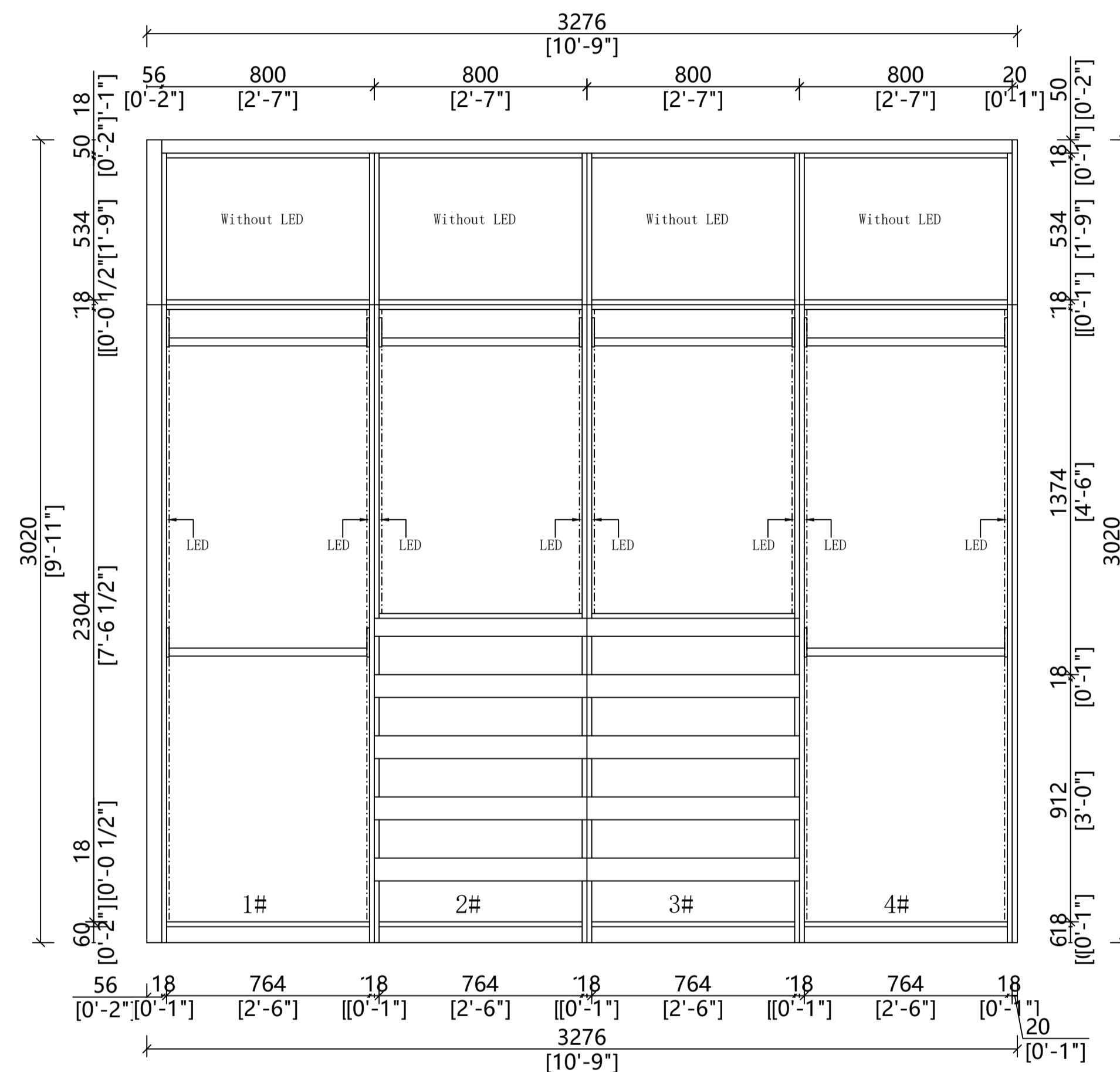
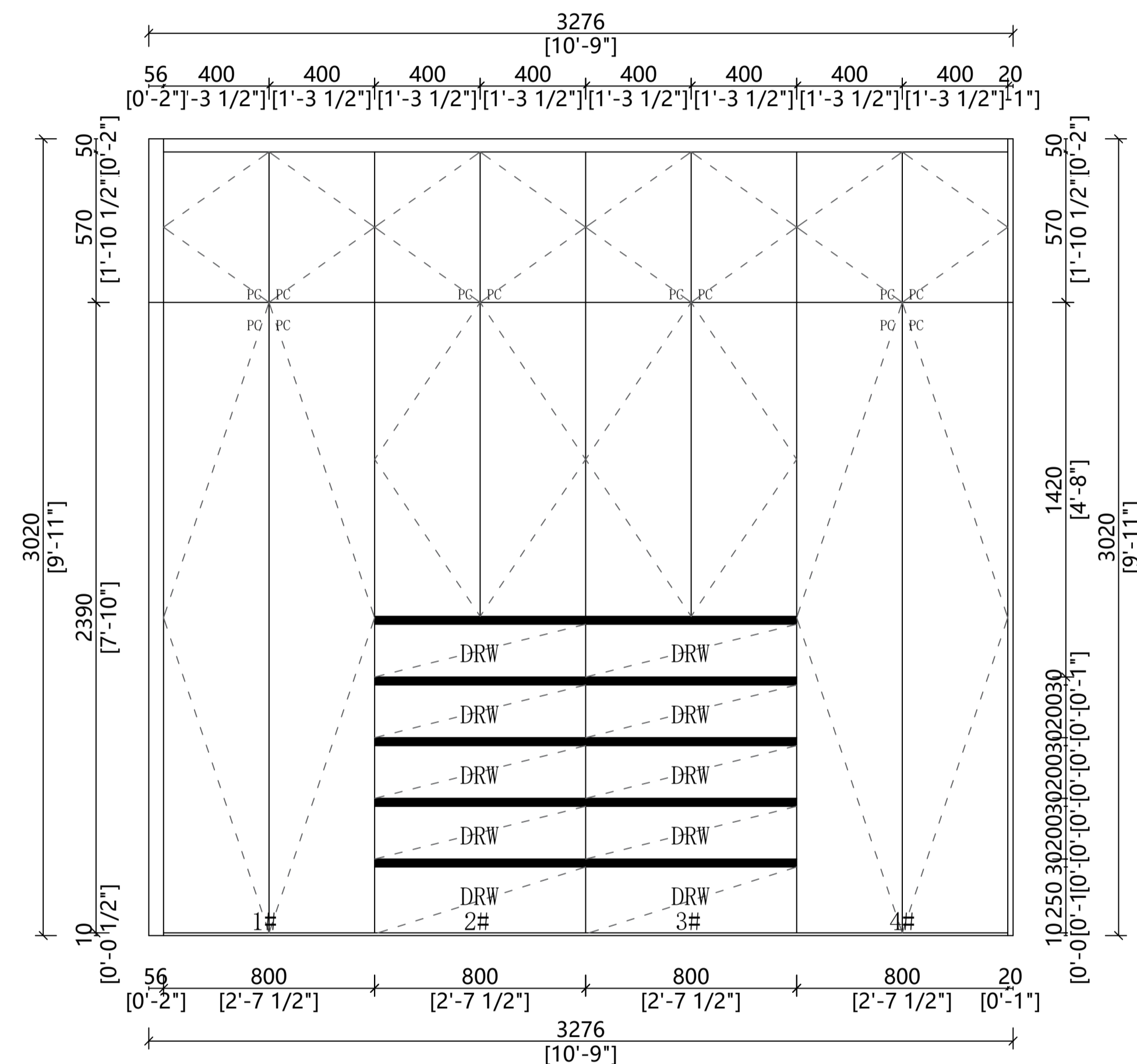
Consignee:

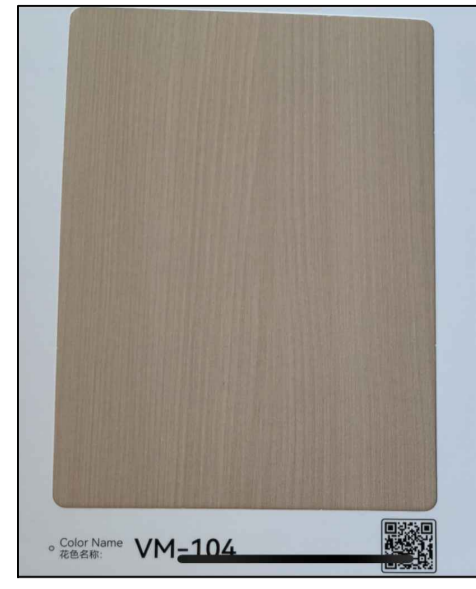
Date:

Designer:

Tel:

Pages **5-2**

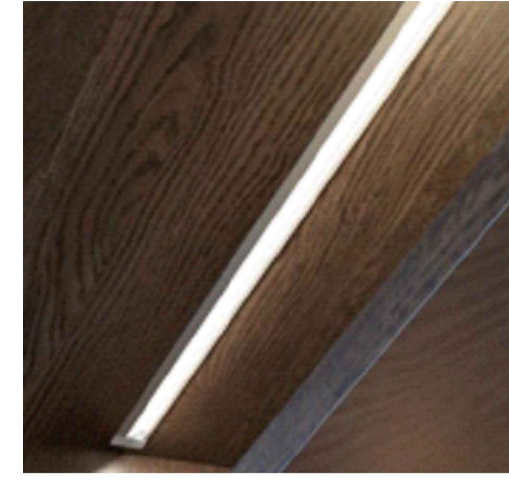




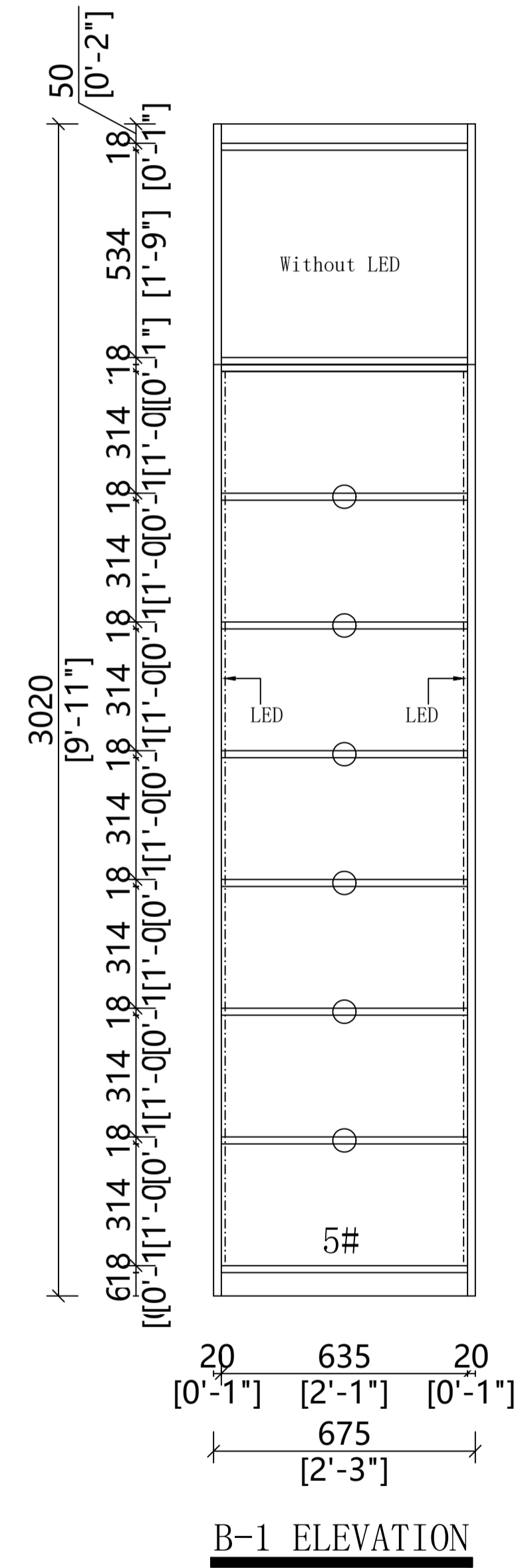
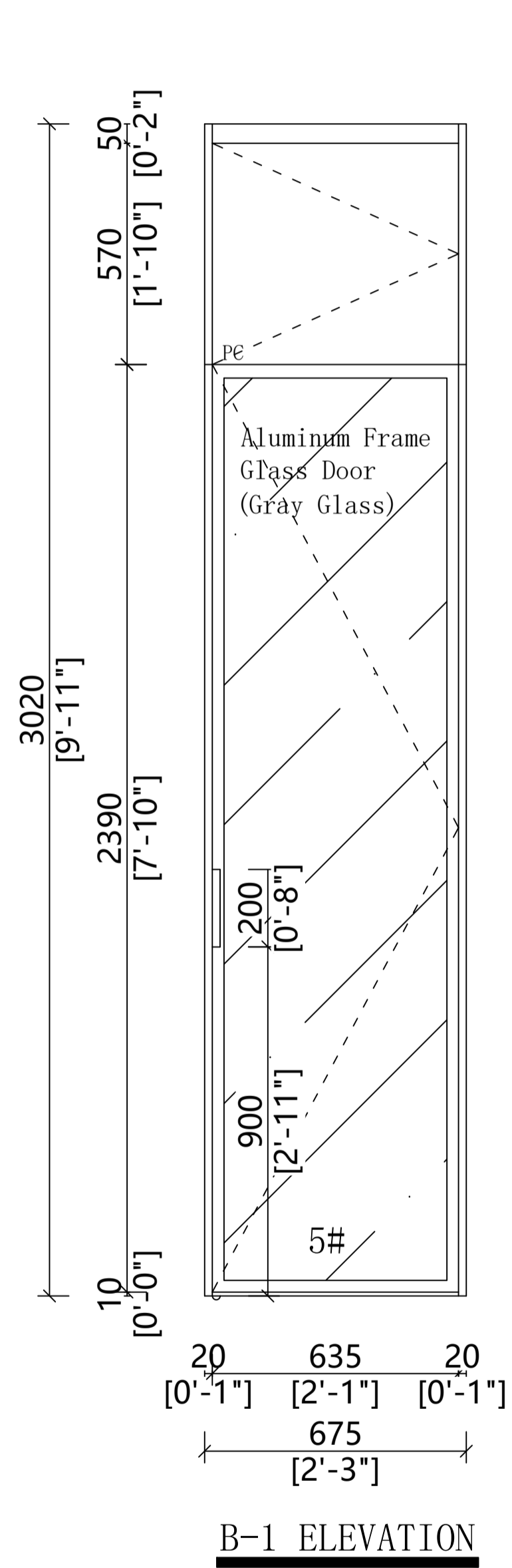
Plywood
VM-104



Aluminum Frame
Glass Door
(Gray Glass)



LED:3000K
Door Sensor Switch



WAYMOVE

One Stop Home Solutions

Order No: **WMUS25092201**

Client Name: **Alex**

Email: /

Client Address: **USA**

Room Space: **WARDROBE 2**

Carcass	<input type="checkbox"/>	VM-104
Material	<input checked="" type="checkbox"/>	Plywood
Door	<input type="checkbox"/>	VM-104
Material	<input checked="" type="checkbox"/>	Plywood
Door	<input checked="" type="checkbox"/>	
Material	<input type="checkbox"/>	

Drawer Handle:

Door Handle:

Remark:

Design Date:

Lead Time: 10-12 Weeks

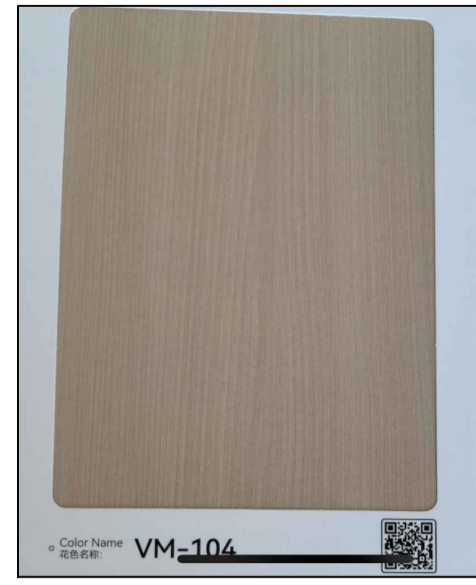
Consignee:

Date:

Designer:

Tel:

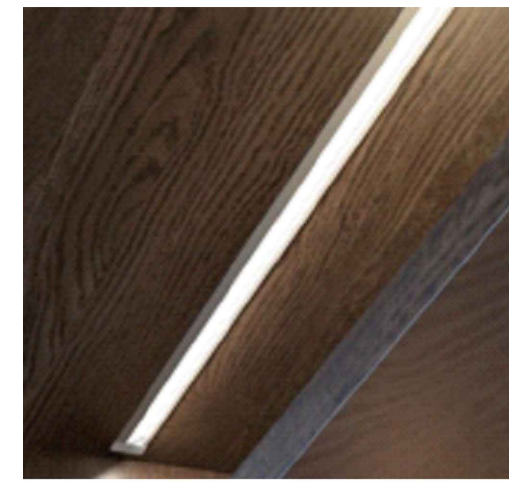
Pages **5-3**



Plywood
VM-104



Aluminum Frame
Glass Door
(Gray Glass)



LED:3000K
Door Sensor Switch

WAYMOVE

One Stop Home Solutions

Order No: **WMUS25092201**

Client Name: **Alex**

Email: /

Client Address: **USA**

Room Space: **WARDROBE 2**

Carcass	<input type="checkbox"/>	VM-104
Material	<input checked="" type="checkbox"/>	Plywood
Door	<input type="checkbox"/>	VM-104
Material	<input checked="" type="checkbox"/>	Plywood
Door	<input checked="" type="checkbox"/>	
Material	<input type="checkbox"/>	

Drawer Handle:

Door Handle:

Remark:

Design Date:

Lead Time: 10-12 Weeks

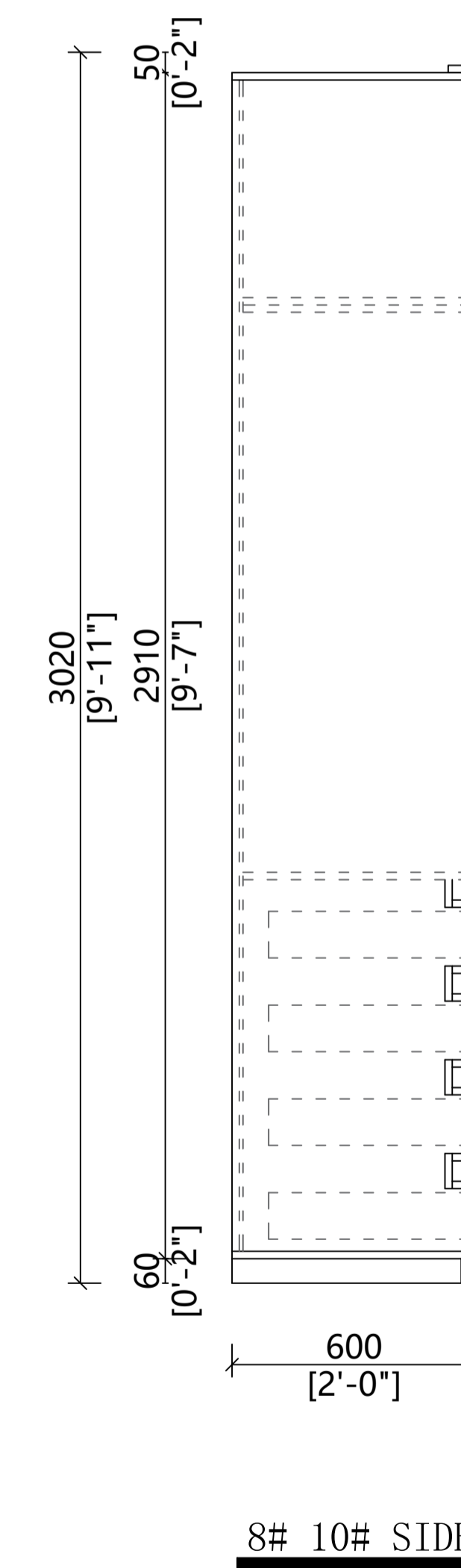
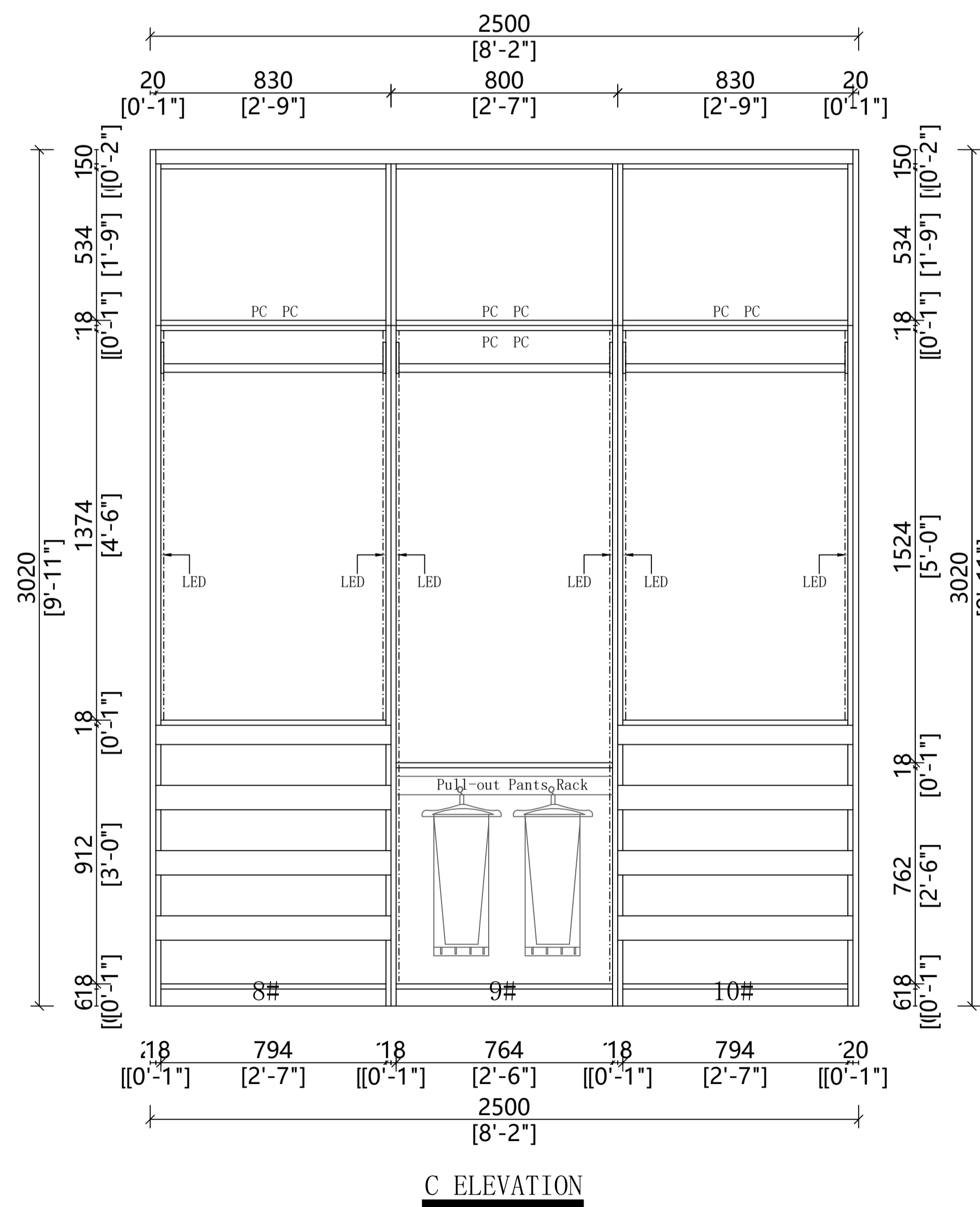
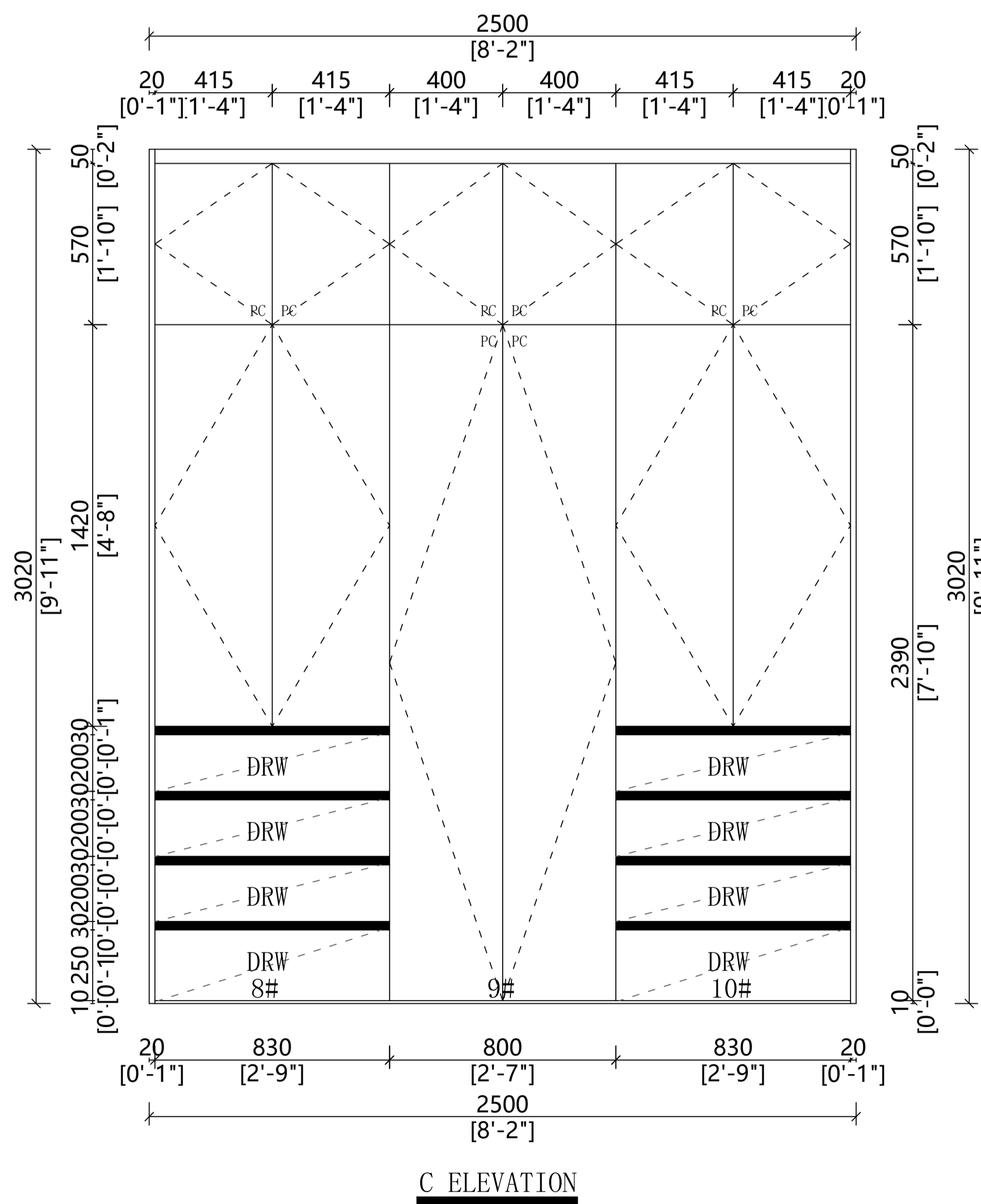
Consignee:

Date:

Designer:

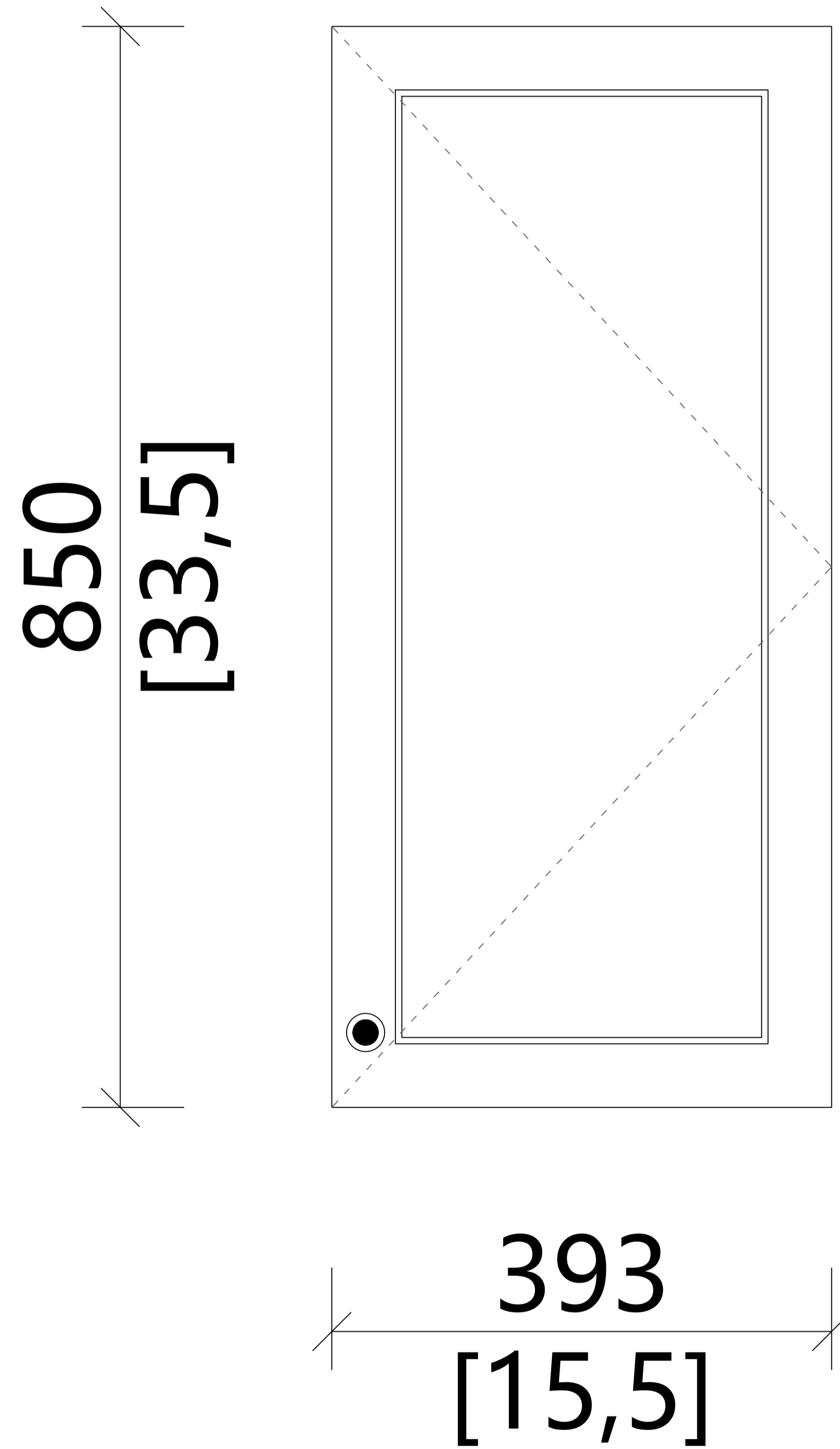
Tel:

Pages **5-5**





Paint -White
FIVE-PIECE CABINET DOOR



WAYMOVE

One Stop Home Solutions

Order No: WMUS25092201

Client Name: Alex

Email: /

Client Address: USA

Room Space: DOOR

Carcass

Material

Door

Material

Door

Material

Drawer Handle:

Door Handle:

Remark:

Design Date:

Lead Time: 10-12 Weeks

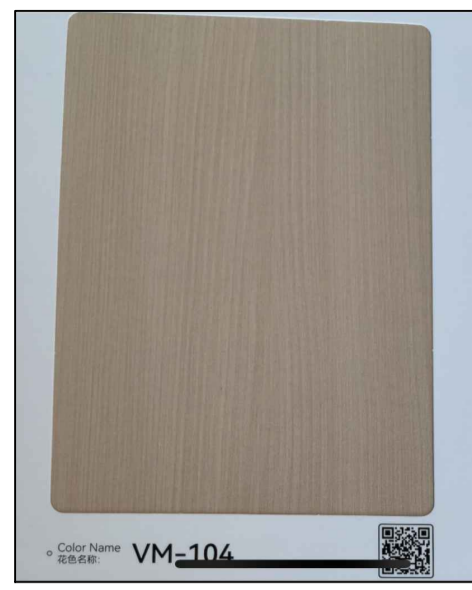
Consignee:

Date:

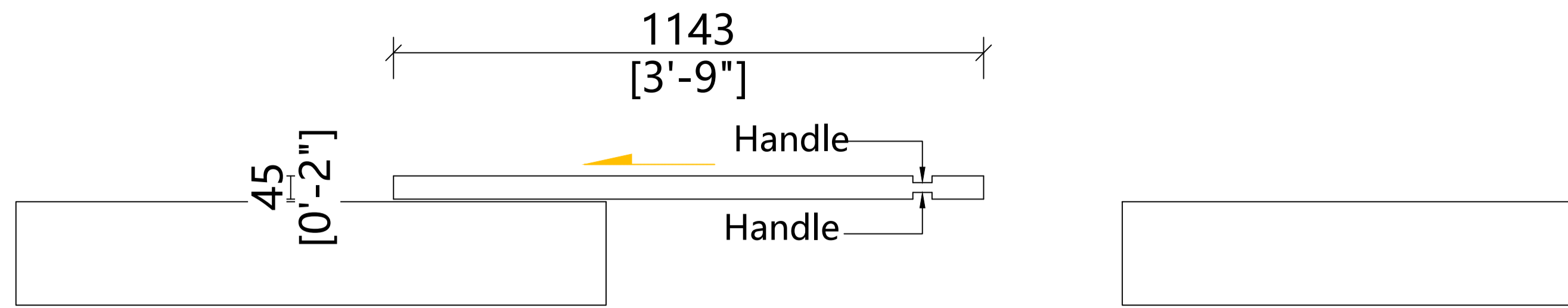
Designer:

Tel:

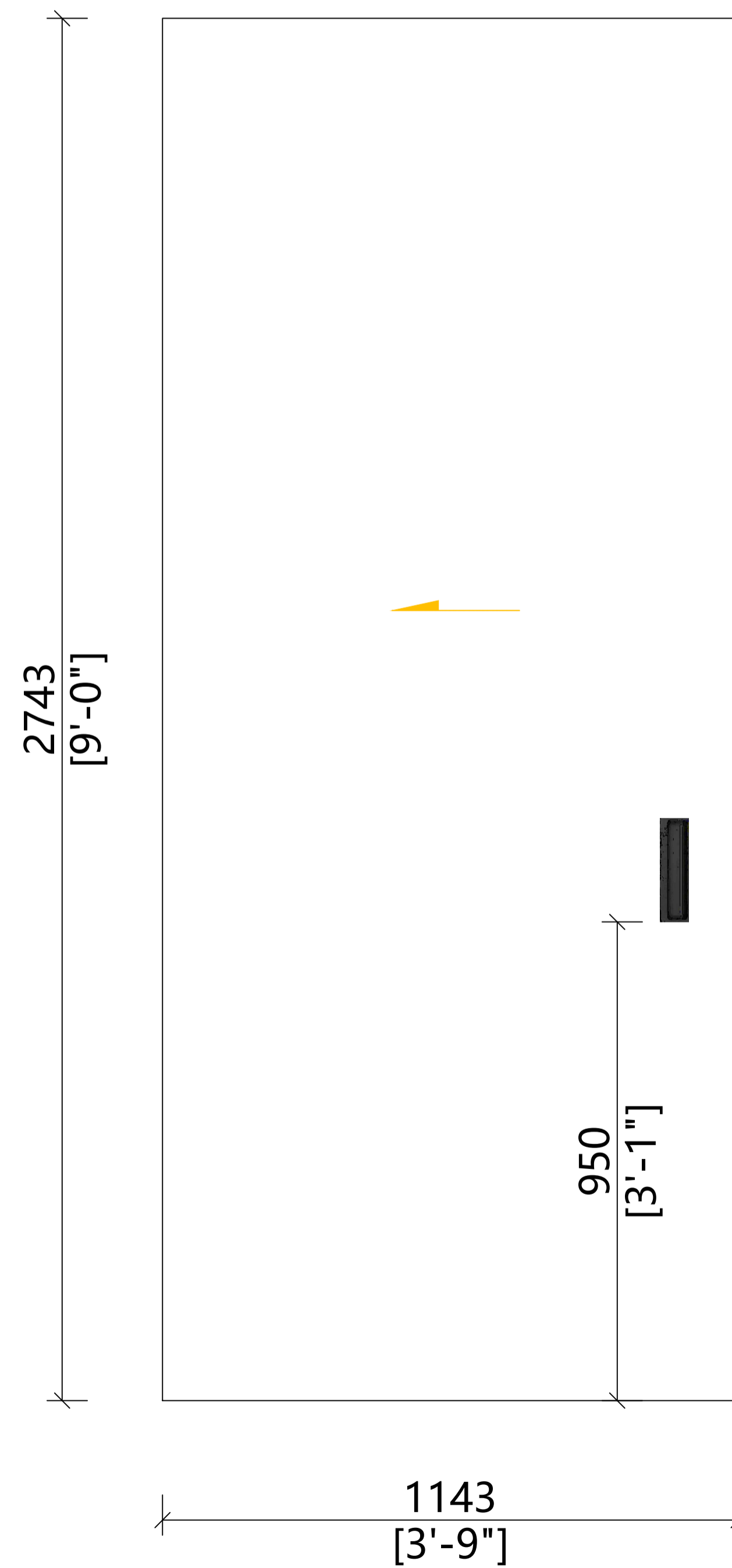
Pages 1-1



Plywood
VM-104



Confirm the door opening
direction?



WAYMOVE

One Stop Home Solutions

Order No: **WMUS25092201**

Client Name: **Alex**

Email: /

Client Address: **USA**

Room Space: **Hidden Door**

Carcass

Material

Door

Material

Door

Material

Drawer Handle:

Door Handle:

Remark:

Design Date:

Lead Time: 10-12 Weeks

Consignee:

Date:

Designer:

Tel:

Pages

1-1