

WAYMOVE

Order No: WMCA250626001

Client Name:

Email:

Client Address: Harj

Room Space:

Carcass

Material

Door

Material

Door

Shape

Drawer Handle:

Door Handle:

Remark:

Design Date:

Lead Time: 10-12 Weeks

Consignee:

Date:

Designer:

Tel:

Pages

1-9



Room 1+Room 2

Finish:VM-102

Material:Plywood

多层板



Room 3

Finish:JXM8148

Material:Plywood

多层板



Handle:M1109

Gold

Length:200mm

HANGING ROD/HANGING ROD BASE (TRAPEZOID)
挂衣杆 / 衣杆座 (梯形)



6092600

Champagne Gold
香槟金



6092601

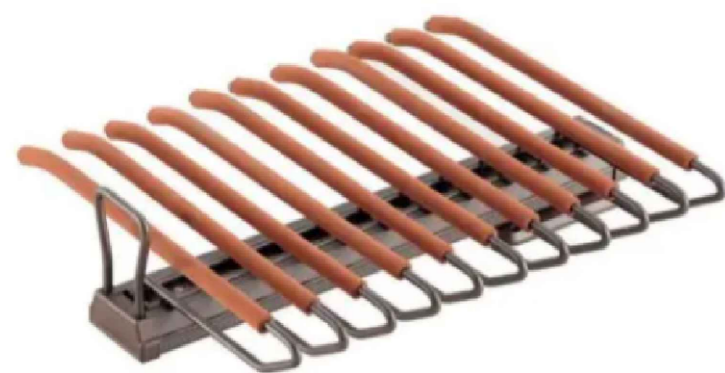


转角挂衣杆连接座
Base for corner hanging rod
6092602

NUOMI Hanger

挂衣杆6102600

Gold 香槟金



NUOMI Trousers rack

裤架6101201

Gold 香槟金



NUOMI Pull down hanger

升降挂衣杆6101602

Gold 香槟金

WAYMOVE

Order No: WMCA250626001

Client Name:

Email:

Client Address: Harj

Room Space: Room 1

Carcass Material	<input type="checkbox"/> Plywood 18MM
	<input checked="" type="checkbox"/> VM-102

Door Material	<input type="checkbox"/>
	<input checked="" type="checkbox"/>

Door Shape	<input checked="" type="checkbox"/>
	<input type="checkbox"/>

Drawer Handle: M1109 金

Door Handle:

Remark:

Design Date:

Lead Time: 10-12 Weeks

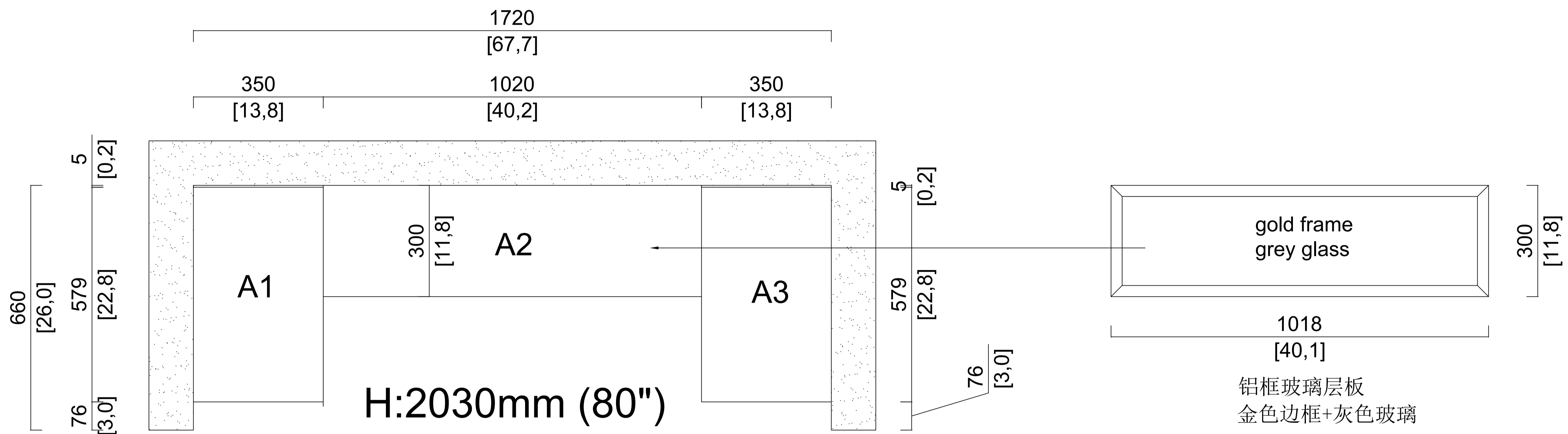
Consignee:

Date:

Designer:

Tel:

Pages	2-9
-------	-----



PLAN

WAYMOVE

Order No: WMCA250626001

Client Name:

Email:

Client Address: Harj

Room Space: Room 1

Carcass Material Plywood 18MM
 VM-102

Door Material

Door Shape

Drawer Handle: M1109 金

Door Handle:

Remark:

Design Date:

Lead Time: 10-12 Weeks

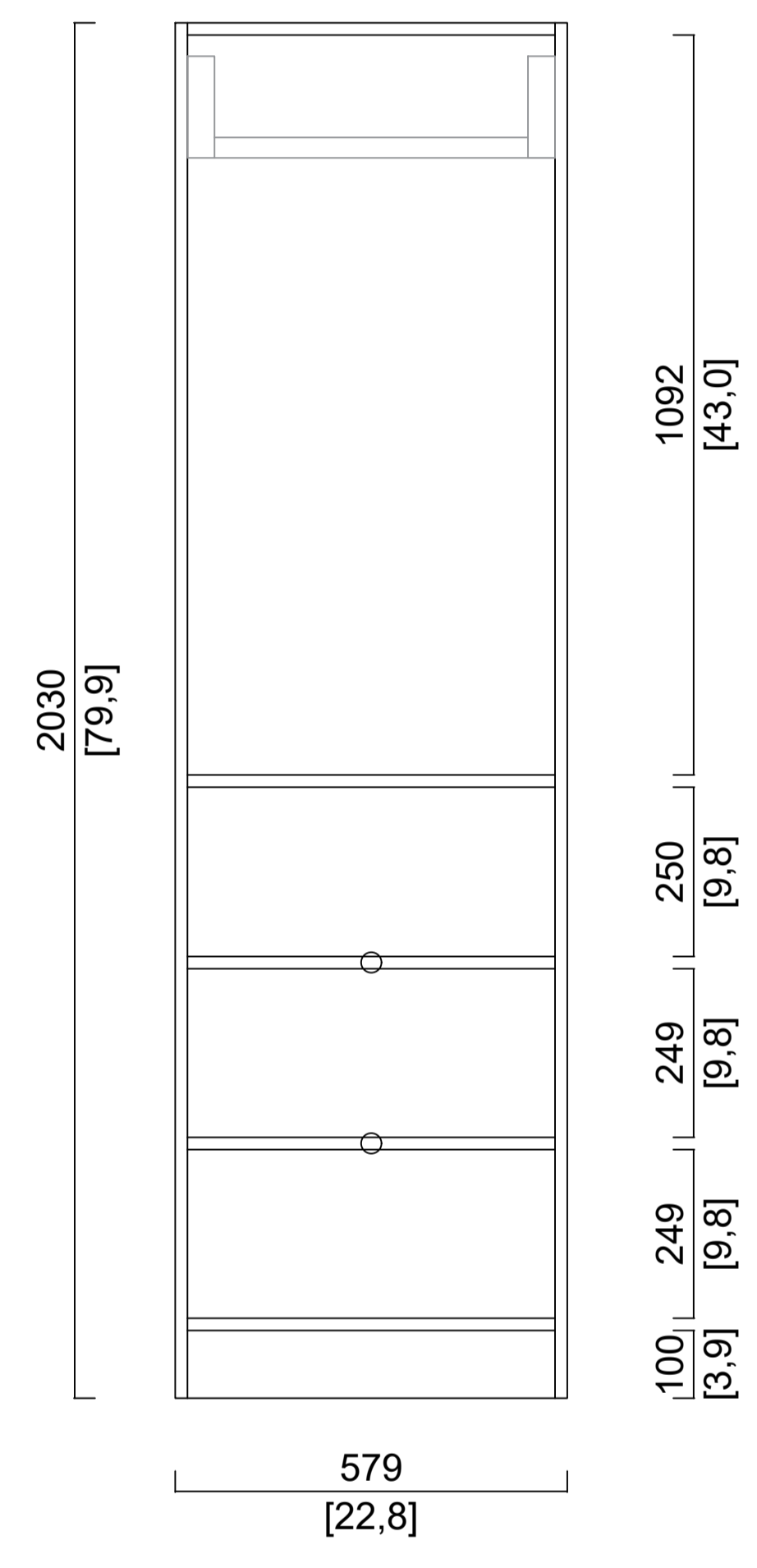
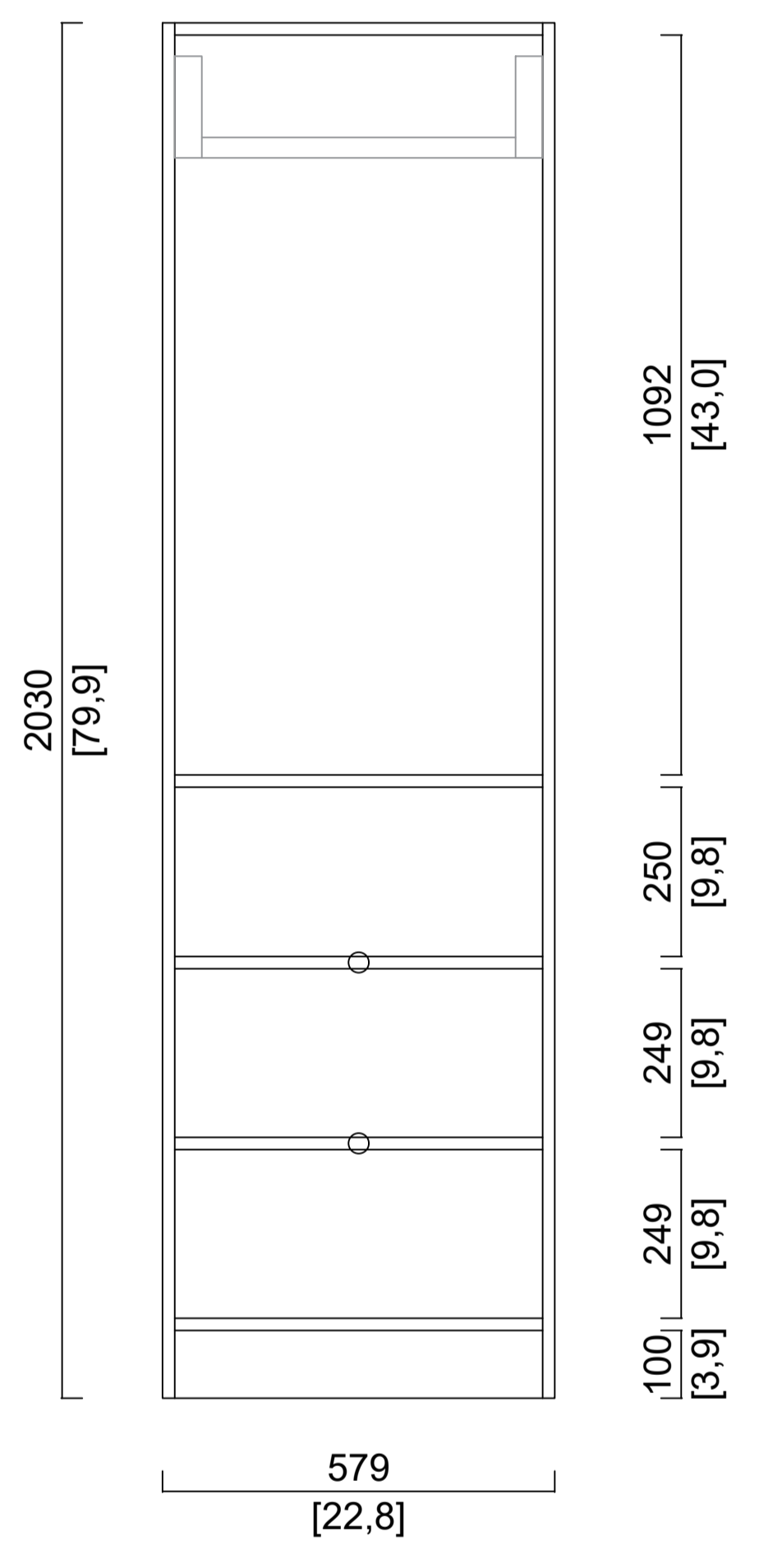
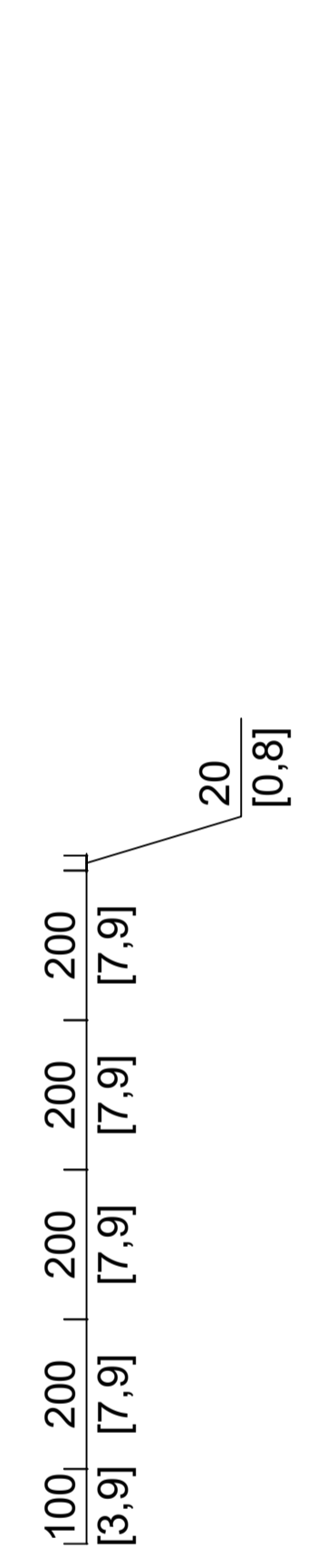
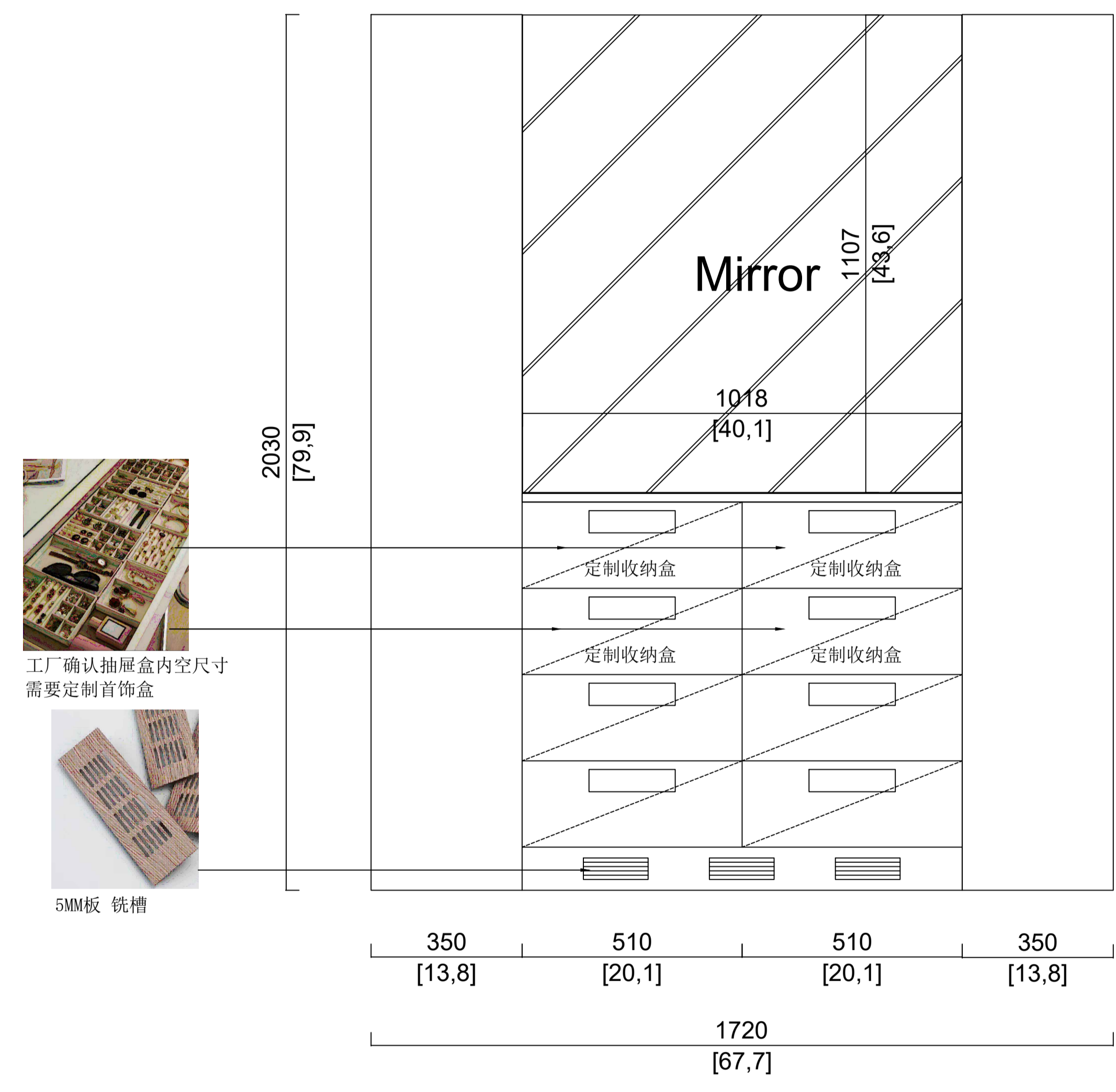
Consignee:

Date:

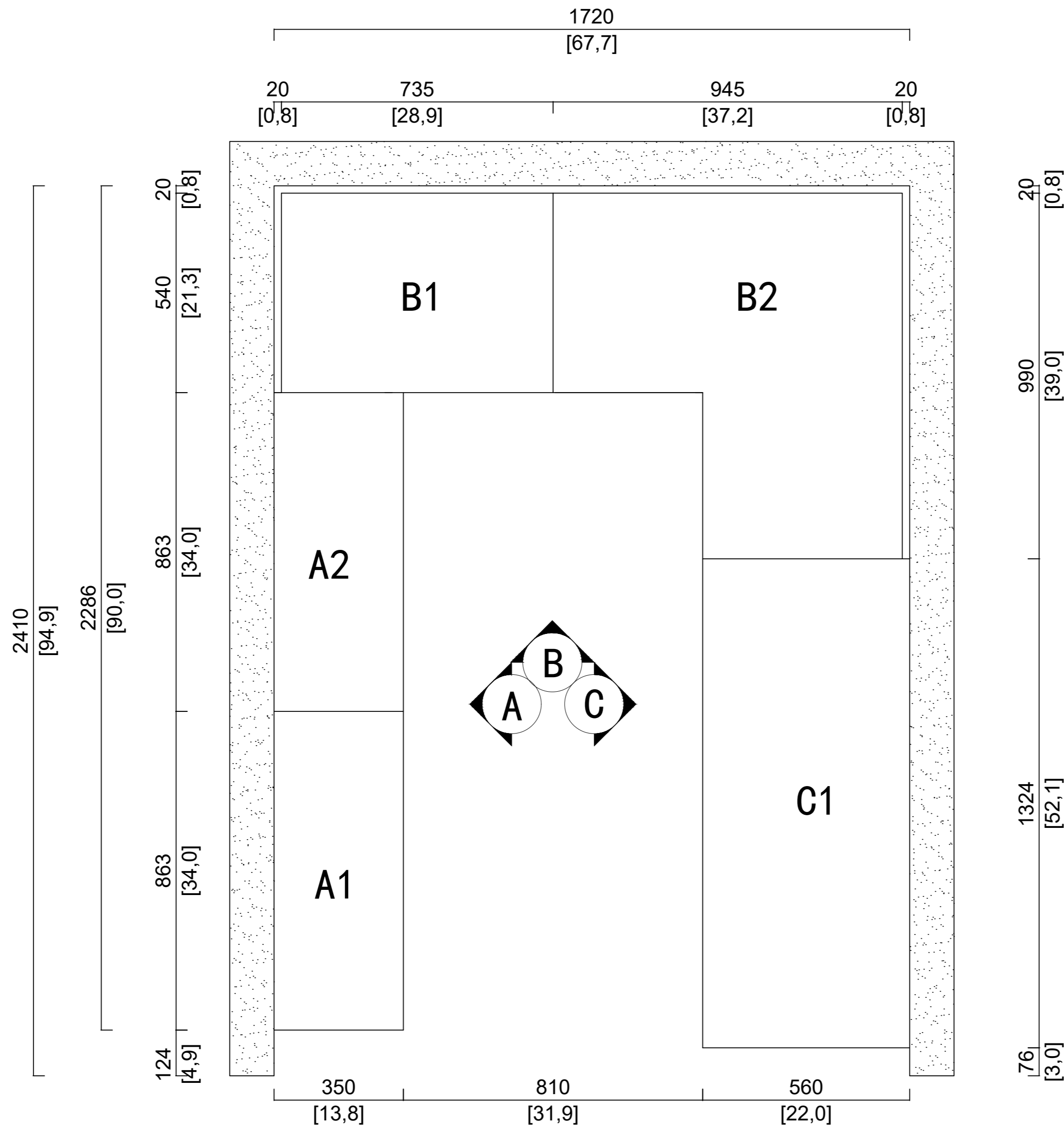
Designer:

Tel:

Pages 3-9



ELEVATION



H:3045mm (120")

PLAN



Order No: WMCA250626001

Client Name:

Email:

Client Address: Harj

Room Space: Room 2

Carcass Material	<input type="checkbox"/> Plywood 18MM
	<input checked="" type="checkbox"/> VM-102

Door Material	<input type="checkbox"/>
	<input checked="" type="checkbox"/>

Door Shape	<input checked="" type="checkbox"/>
	<input type="checkbox"/>

Drawer Handle: M1109 金

Door Handle:

Remark:

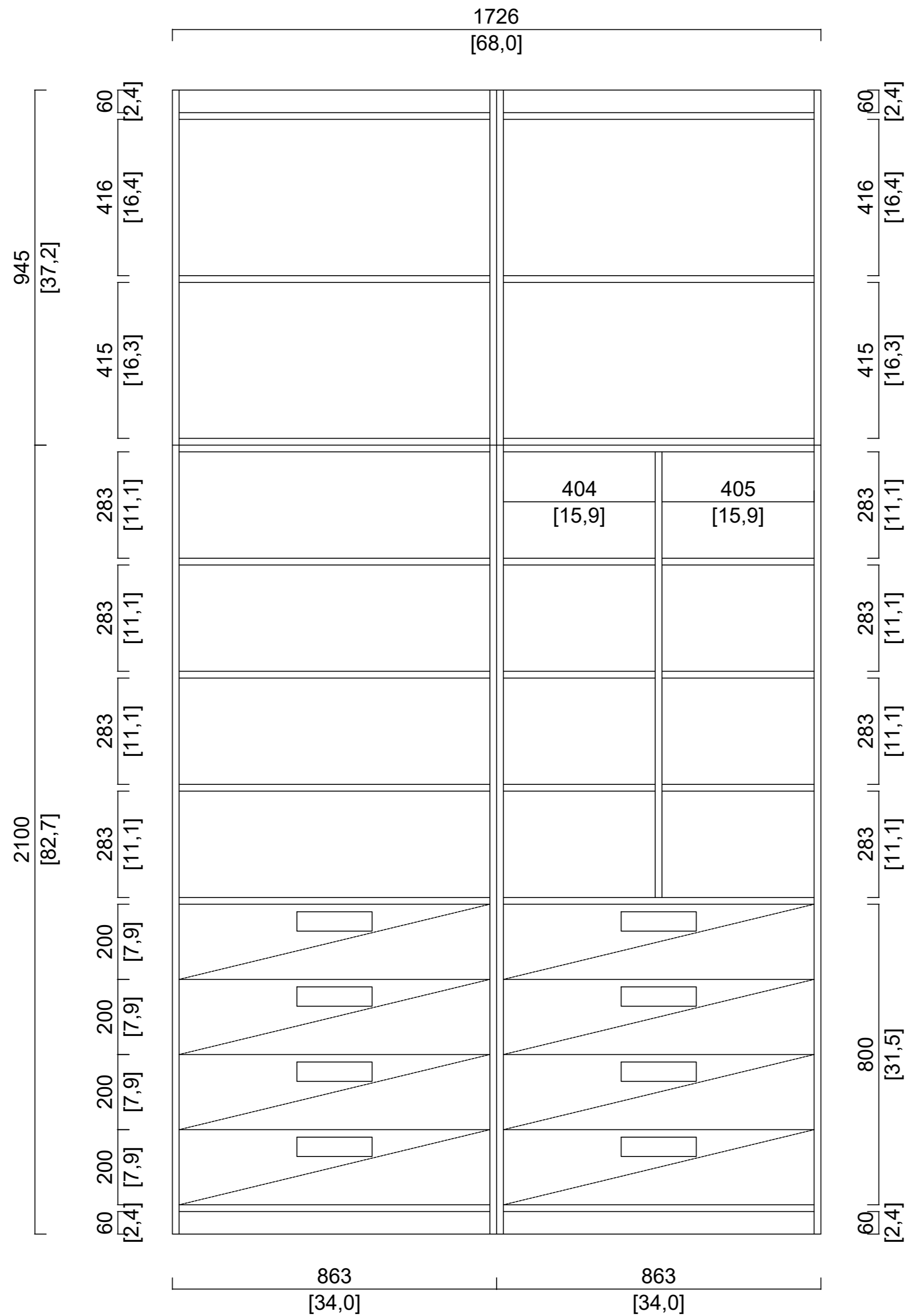
Design Date:

Lead Time: 10-12 Weeks

Consignee:
Date:

Designer:
Tel:

Pages	4-9
-------	-----



ELEVATION A



Order No: WMCA250626001

Client Name:

Email:

Client Address: Harj

Room Space: Room 2

Carcass Material	<input type="checkbox"/> Plywood 18MM
	<input checked="" type="checkbox"/> VM-102

Door Material	<input type="checkbox"/>
	<input checked="" type="checkbox"/>

Door Shape	<input checked="" type="checkbox"/>
	<input type="checkbox"/>

Drawer Handle: M1109 金

Door Handle:

Remark:

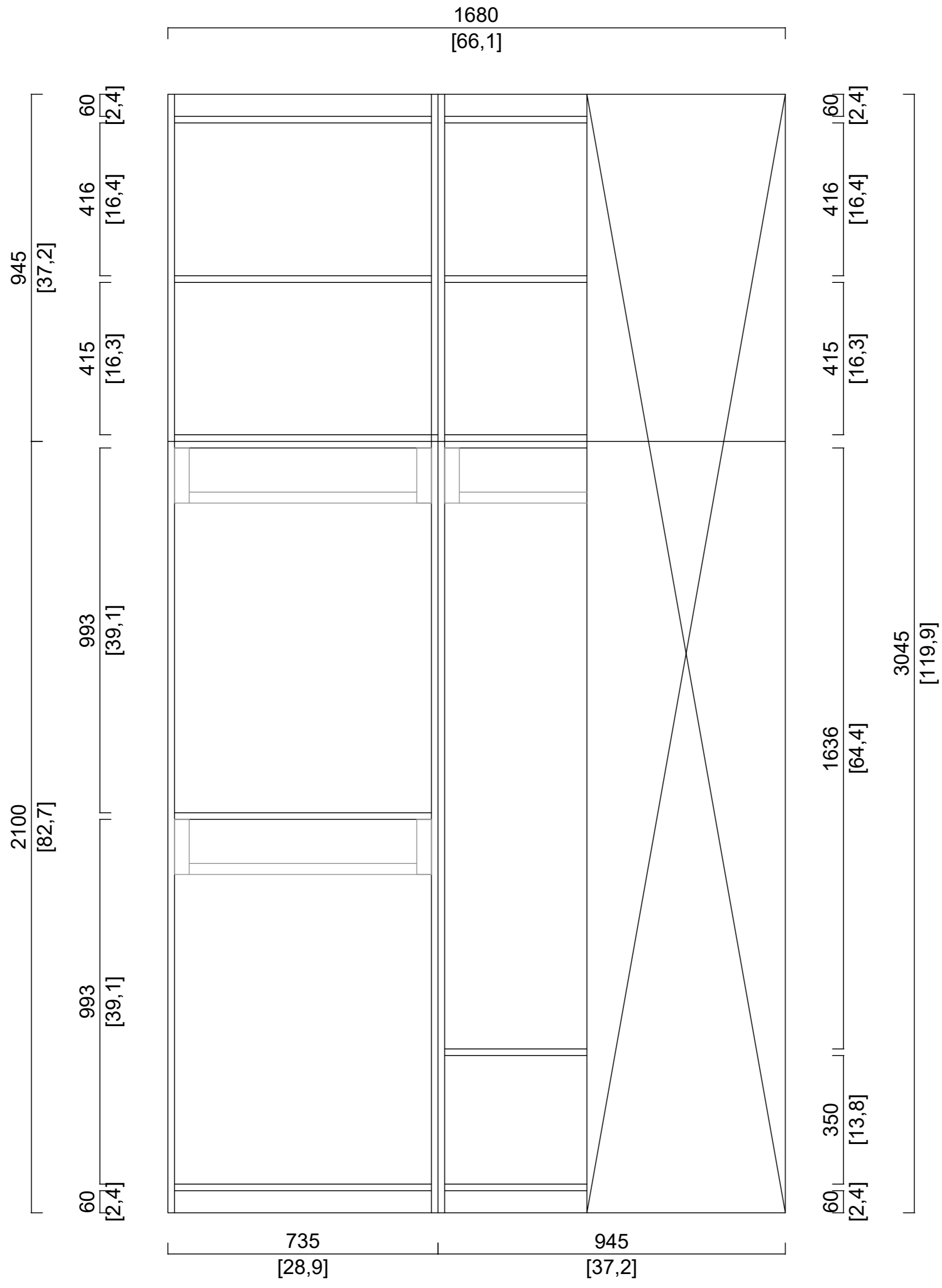
Design Date:

Lead Time: 10-12 Weeks

Consignee:
Date:

Designer:
Tel:

Pages 5-9



ELEVATION B



Order No: WMCA250626001

Client Name:

Email:

Client Address: Harj

Room Space: Room 2

Carcass Material	<input type="checkbox"/> Plywood 18MM
	<input checked="" type="checkbox"/> VM-102

Door Material	<input type="checkbox"/>
	<input checked="" type="checkbox"/>

Door Shape	<input checked="" type="checkbox"/>
	<input type="checkbox"/>

Drawer Handle: M1109 金

Door Handle:

Remark:

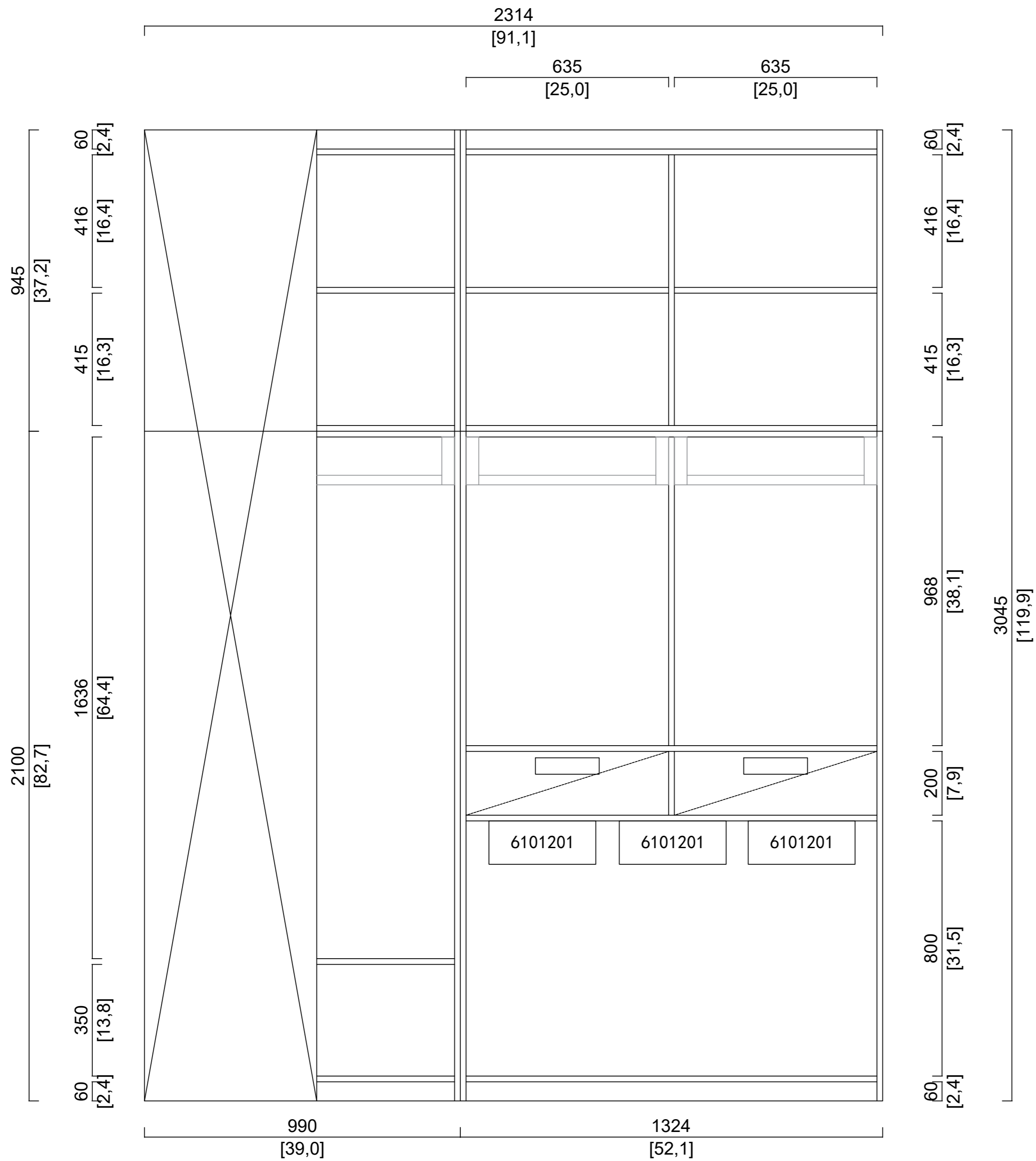
Design Date:

Lead Time: 10-12 Weeks

Consignee:
Date:

Designer:
Tel:

Pages	6-9
-------	-----



ELEVATION C



Order No: WMCA250626001	
Client Name:	
Email:	
Client Address: Harj	
Room Space: Room 2	
Carcass Material	<input type="checkbox"/> Plywood 18MM
	<input checked="" type="checkbox"/> VM-102
Door Material	<input type="checkbox"/>
	<input checked="" type="checkbox"/>
Door Shape	<input checked="" type="checkbox"/>
	<input type="checkbox"/>
Drawer Handle: M1109 金	
Door Handle:	
Remark:	
Design Date:	
Lead Time: 10-12 Weeks	
Consignee:	
Date:	
Designer:	
Tel:	
Pages	7-9

WAYMOVE

Order No: WMCA250626001

Client Name:

Email:

Client Address: Harj

Room Space: Room 3

Carcass Material Plywood 18MM
 JXM8148

Door Material

Door Shape

Drawer Handle: M1109 金

Door Handle:

Remark:

Design Date:

Lead Time: 10-12 Weeks

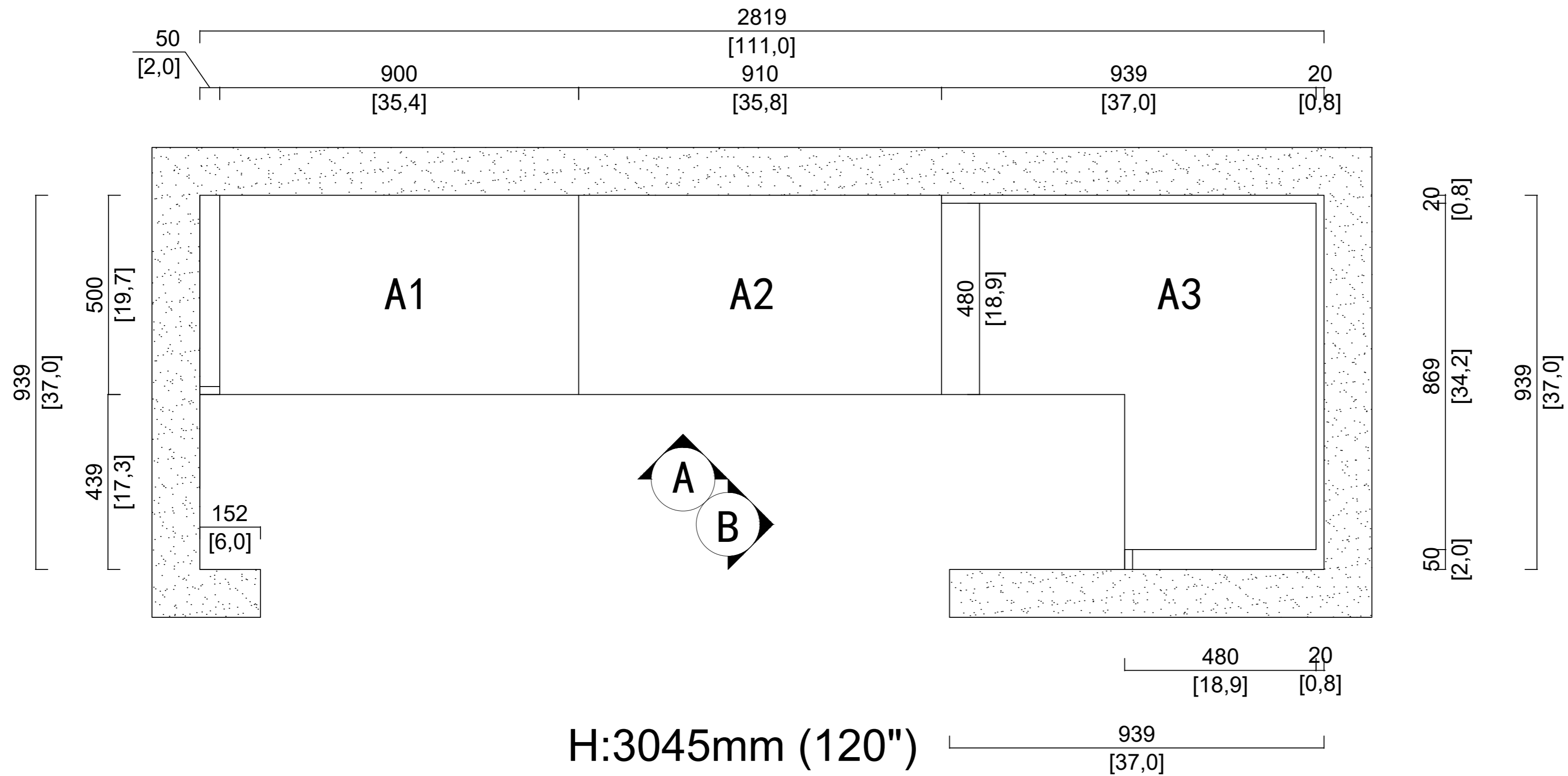
Consignee:

Date:

Designer:

Tel:

Pages 8-9



WAYMOVE

Order No: WMCA250626001

Client Name:

Email:

Client Address: Harj

Room Space: Room 3

Carcass Material Plywood 18MM
 JXM8148

Door Material

Door Shape

Drawer Handle: M1109 金

Door Handle:

Remark:

Design Date:

Lead Time: 10-12 Weeks

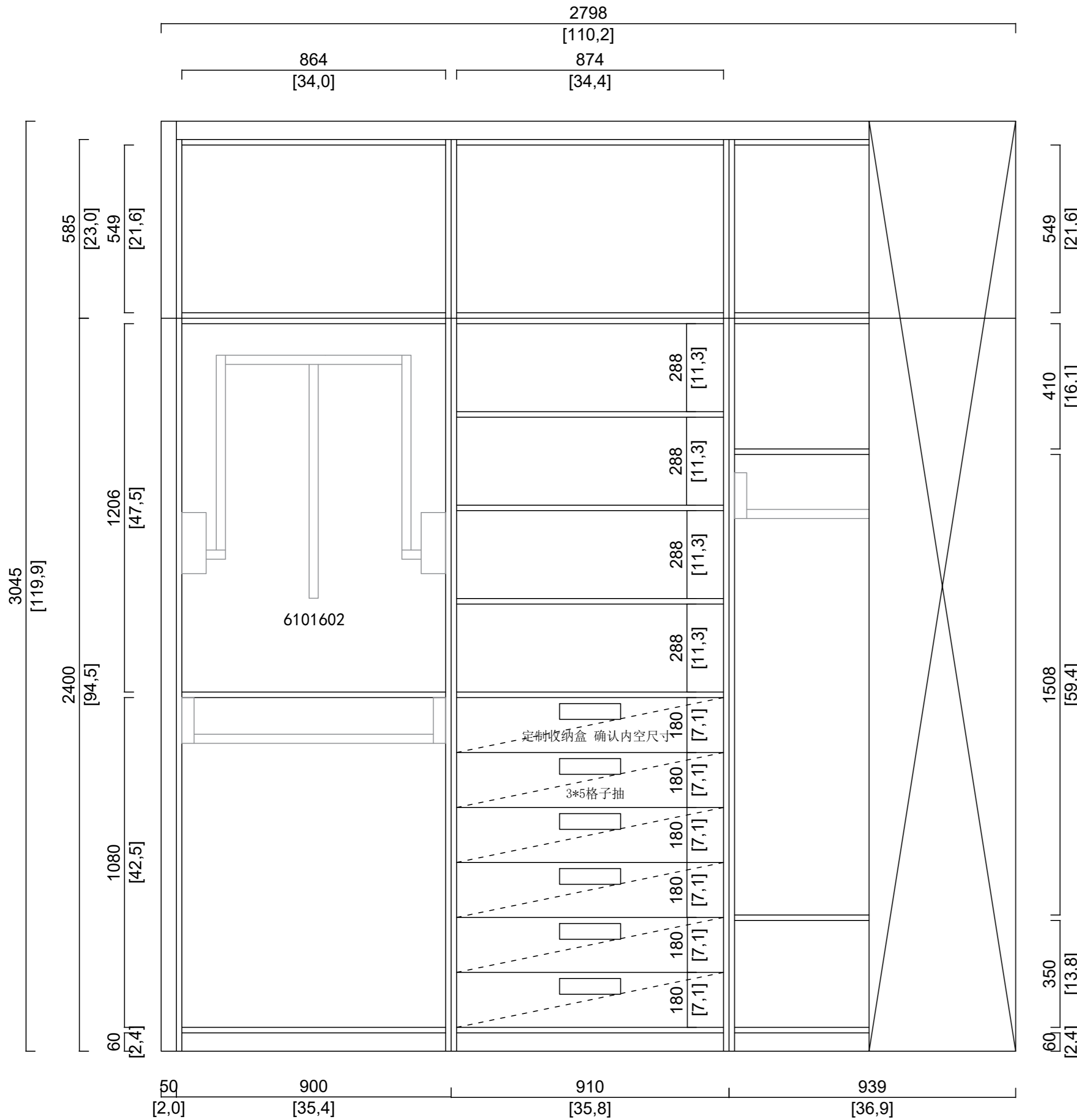
Consignee:

Date:

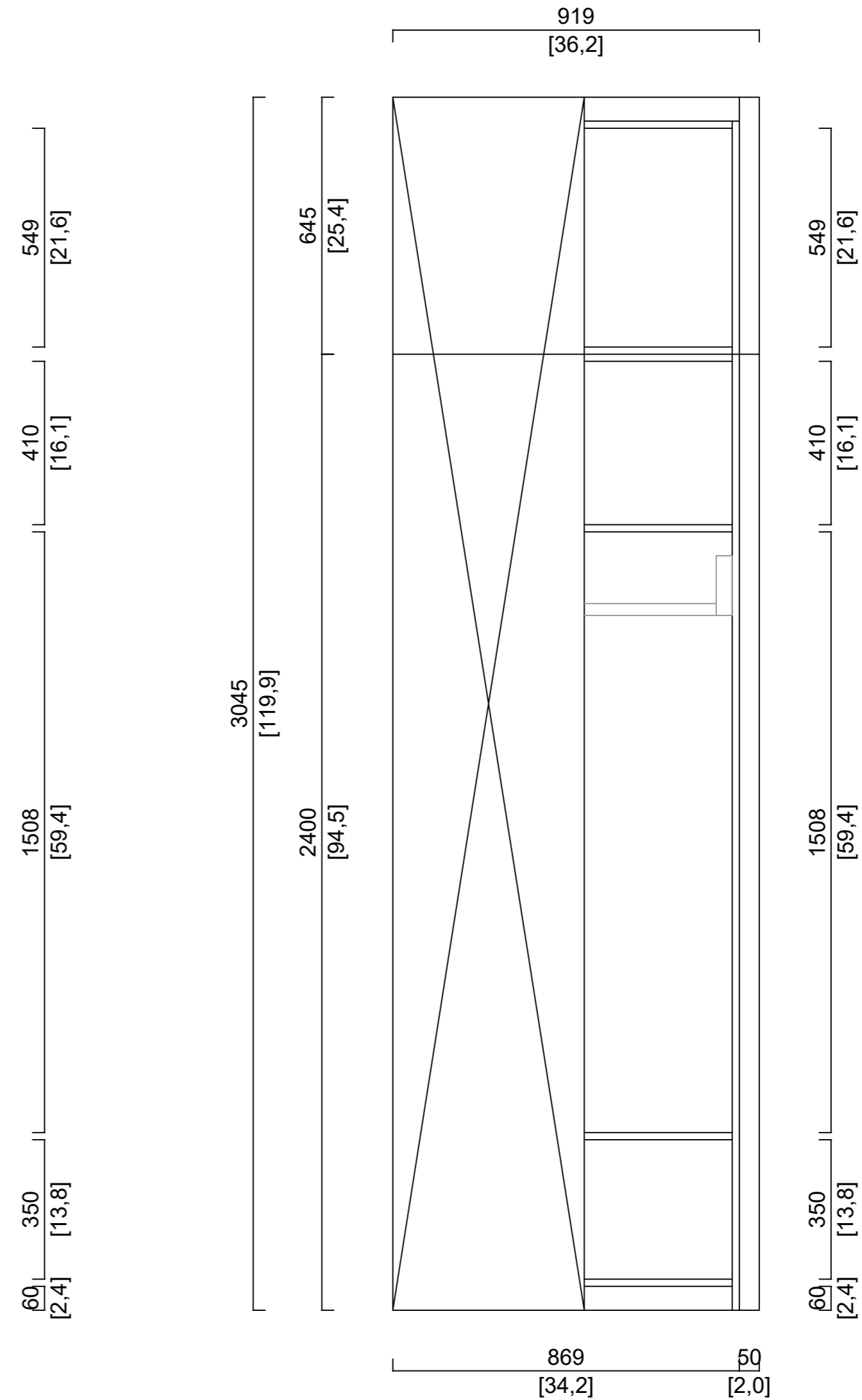
Designer:

Tel:

Pages 9-9



ELEVATION A



ELEVATION B