

Vanity



四个抽屉的柜体部分
Finish: Melamine, TS9051原色檀榆-2
Material: MFC(E0)颗粒板
Thickness: 18 mm

End panel&Door: Venner
格栅门抽面板和见光板, 做贴皮

免拉手型材: 哑光黑



四个抽屉的柜体部分
 Finish: Melamine, TS9051原色檀榆-2
 Material: MFC(E0)颗粒板
 Thickness: 18 mm

格栅门抽面板和见光板, 做贴皮

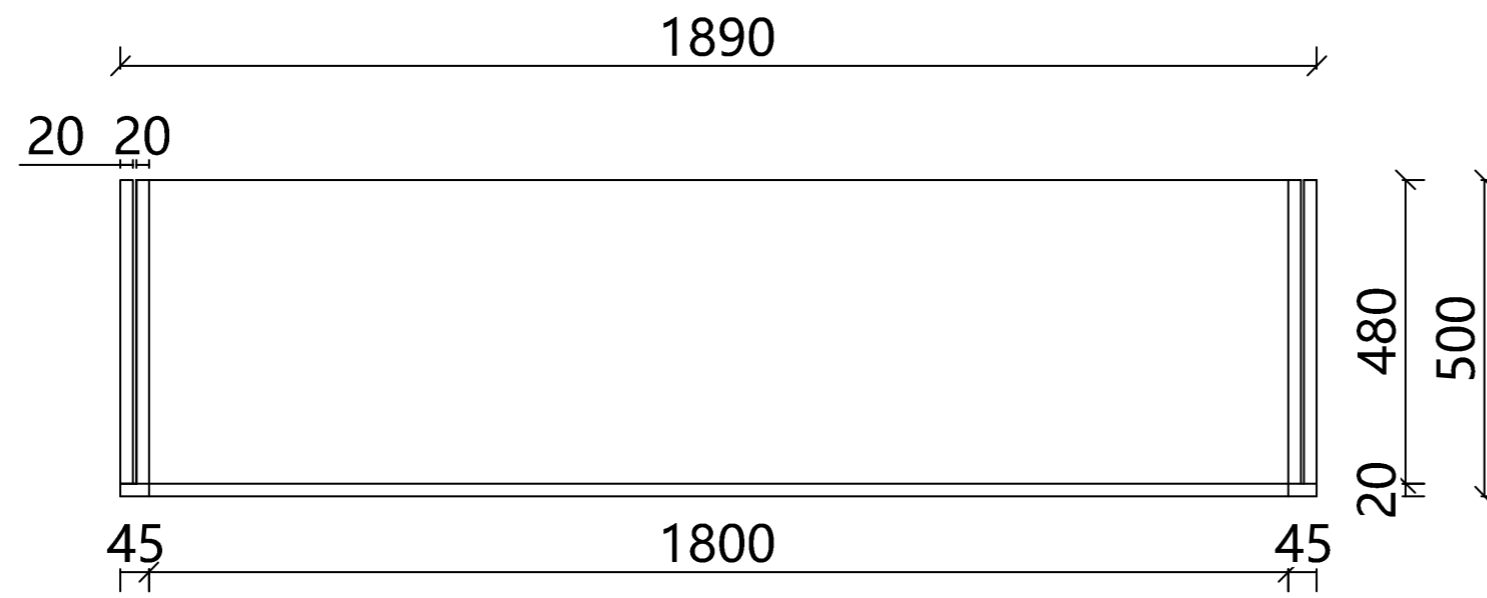
3000K LED, 配遥控开关



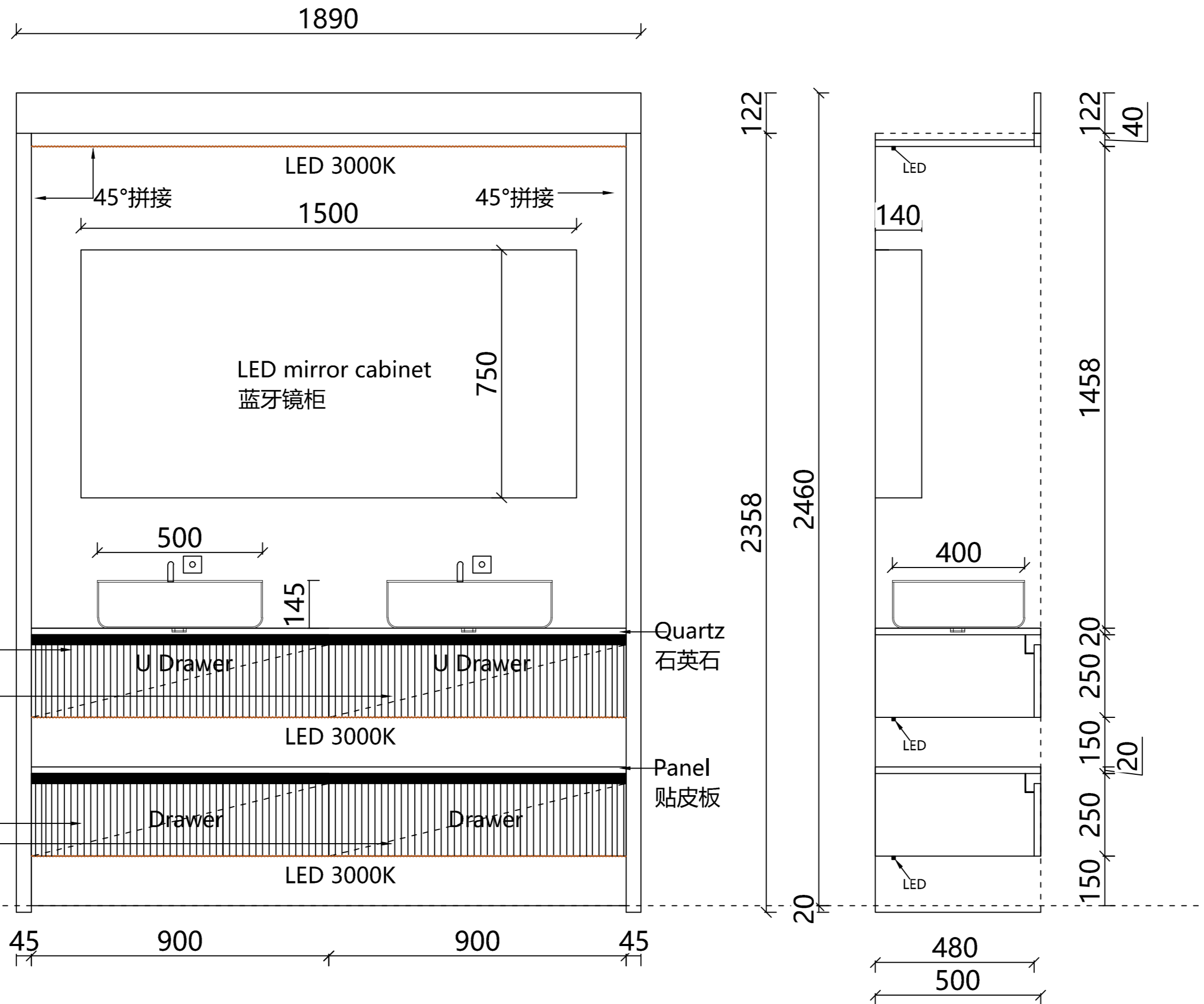
U Drawer
3179005



7083401



Plan



Elevation

WAYMOVE

Order No:

Client Name:

Email:

Client Address:

Room Space: Vanity

Carcass	
Material	
Door	<input type="checkbox"/>
Material	
Door	<input checked="" type="checkbox"/>
Shape	<input type="checkbox"/>

Drawer Handle:

Door Handle:

Remark:

Design Date:

Lead Time: 10-12 Weeks

Consignee:

Date:

Designer:

Tel:

Pages

WAYMOVE

Order No:

Client Name:

Email:

Client Address:

Room Space: Vanity/
Coutertop

Carcass

Material

Door

Material

Door

Shape

Drawer Handle:

Door Handle:

Remark:

Design Date:

Lead Time: 10-12 Weeks

Consignee:

Date:

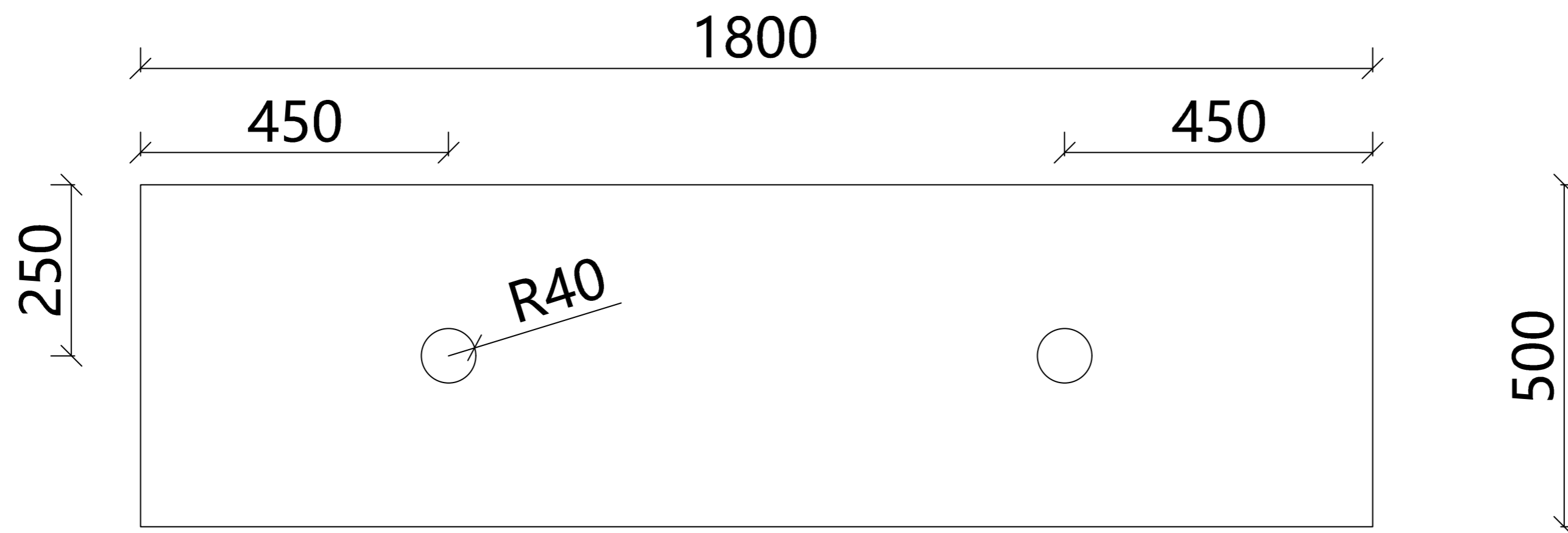
Designer:

Tel:

Pages



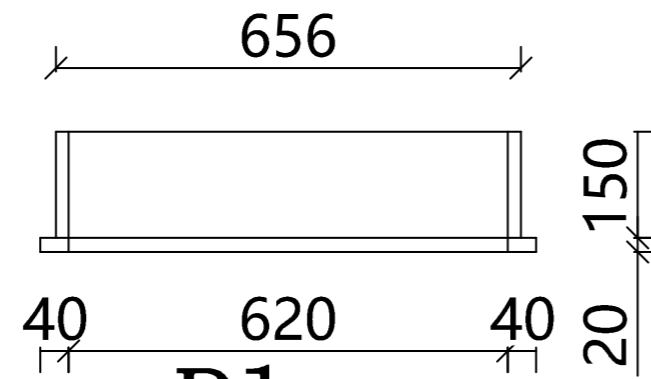
Coutertop: Quartz/20MM
赛凯龙石英石20mm/宵云



Toilet cabinet



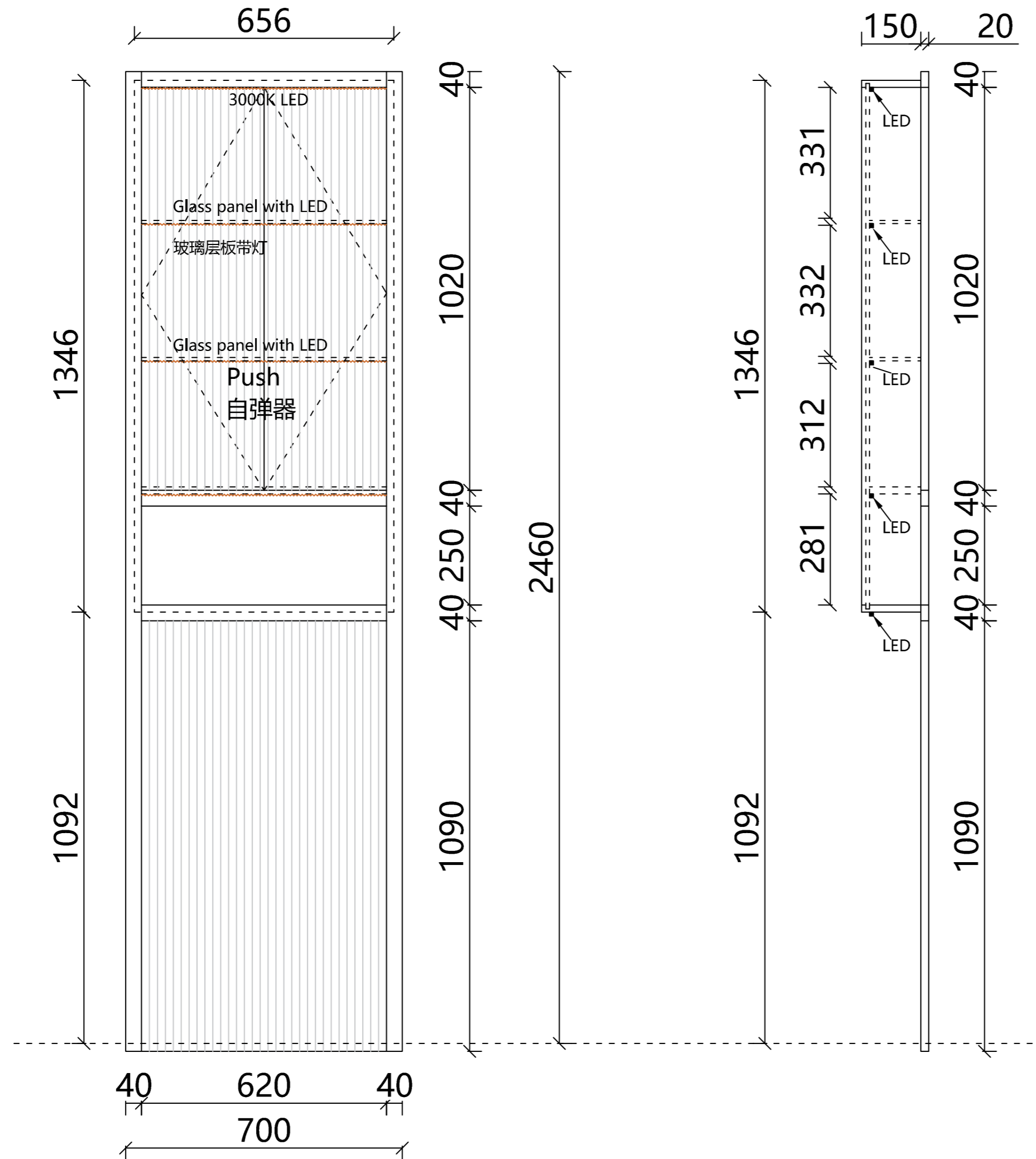
Carcase/Door: Venner
格栅门和柜体全部用贴皮



Plan

Carcase/Grilled Door
 Finish: Veneer, TS9051原色檀榆-2
 Material: HDF
 Thickness: 18 mm
 3000K LED Equipped with smart switch

门板: 格栅门
 门板和柜体颜色: TS9051原色檀榆-2做贴皮
 配遥控开关



Elevation

WAYMOVE

Order No:

Client Name:

Email:

Client Address:

Room Space: Toilet cabinet

Carcass	
Material	■
Door	□
Material	■
Door	⊗
Shape	□

Drawer Handle:

Door Handle:

Remark:

Design Date:

Lead Time: 10-12 Weeks

Consignee:

Date:

Designer:

Tel:

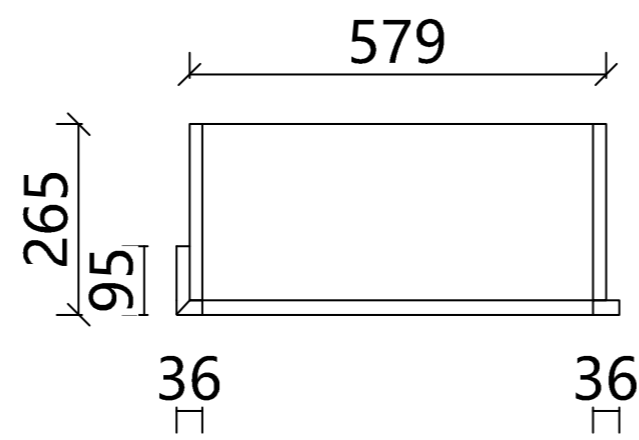
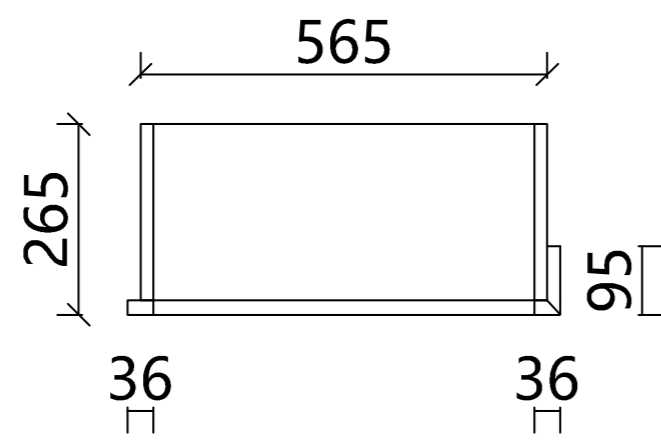
Pages

Bookshelf

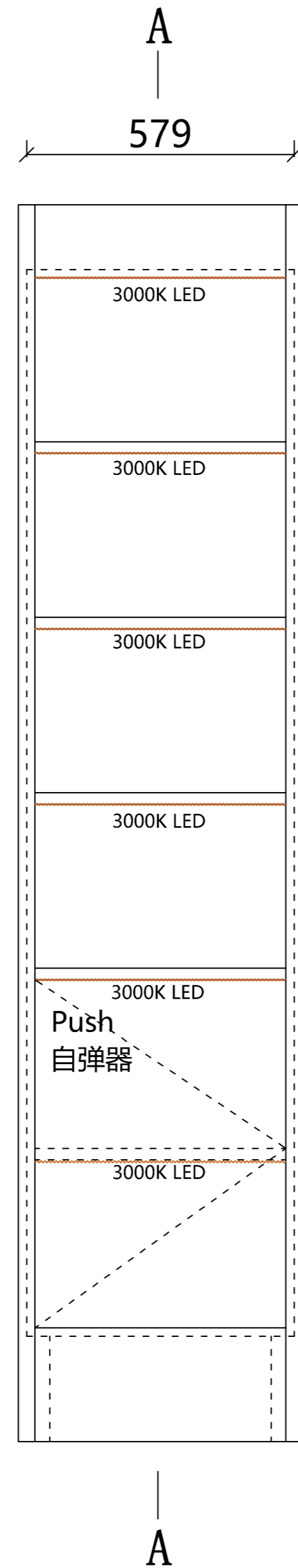
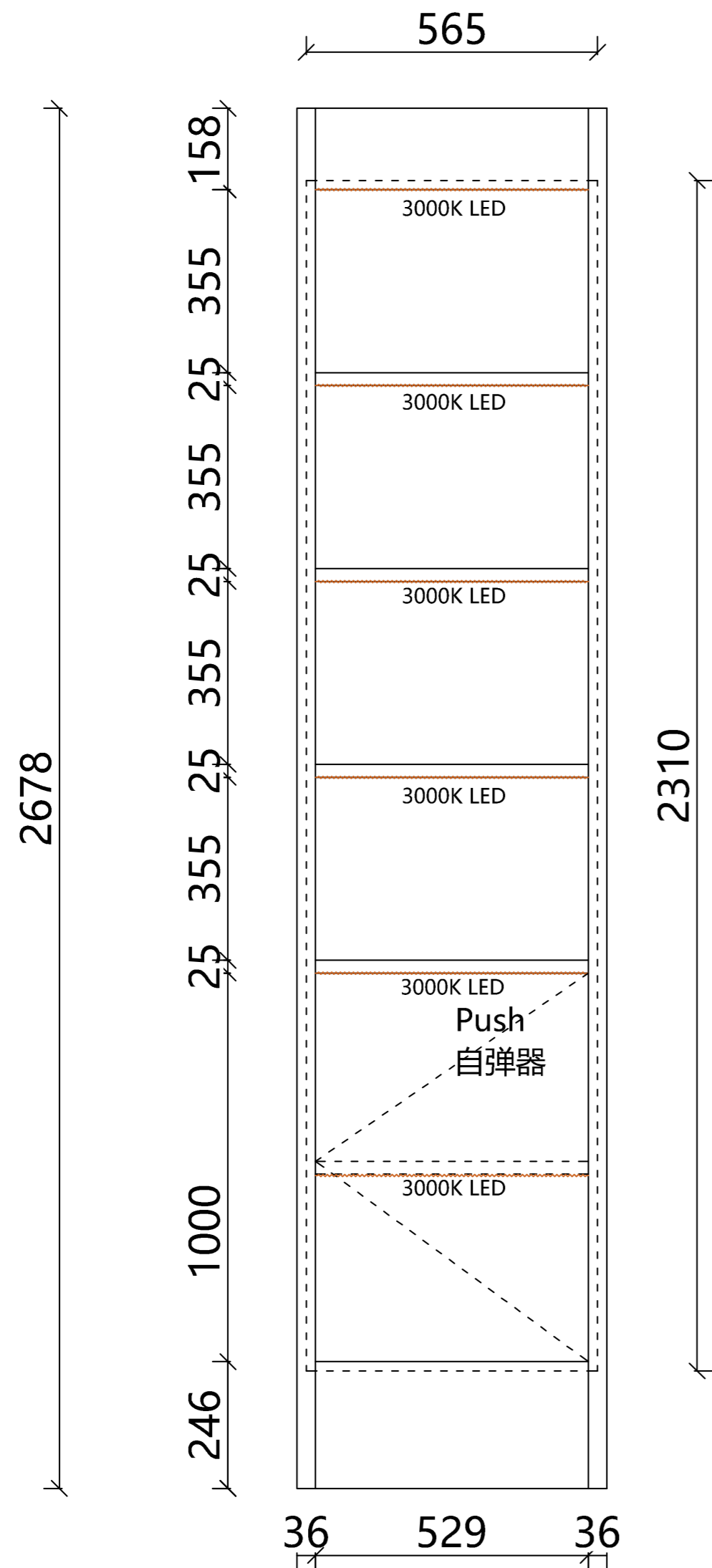


Carcase&Door
Finish: Melamine, RA1050
Material: MFC(E0)颗粒板
Thickness: 18 mm

柜体和门板RA1050



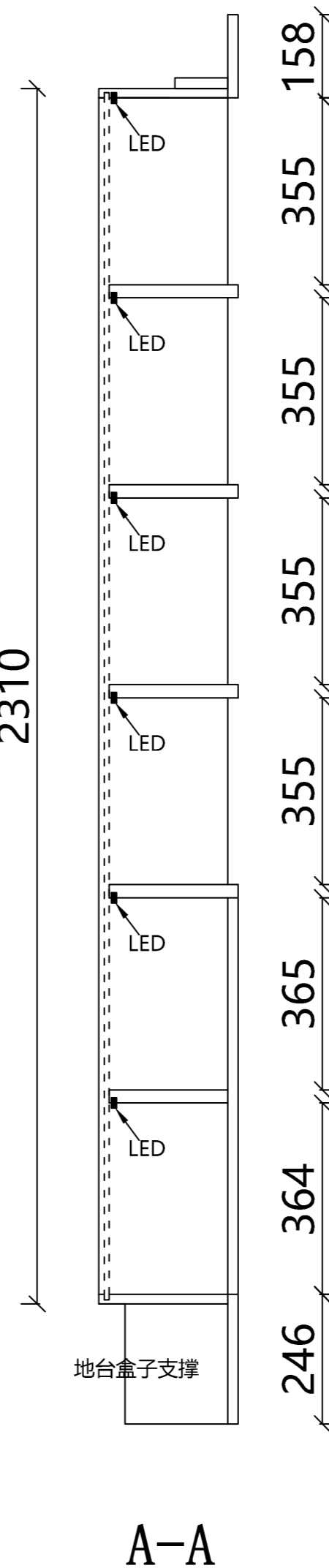
Plan



Carcase/Door
 Finish: Melamine, RA1050
 Material: MFC(E0)颗粒板
 Thickness: 18 mm

柜体/平板门
 颗粒板RA1050

LED3000K/配遥控开关



Order No:
 Client Name:
 Email:
 Client Address:
 Room Space: Bookshelf

Carcass Material	<input checked="" type="checkbox"/>
Door Material	<input type="checkbox"/>
Door Shape	<input checked="" type="checkbox"/>

Drawer Handle:
 Door Handle:
 Remark:
 Design Date:
 Lead Time: 10-12 Weeks
 Consignee:
 Date:
 Designer:
 Tel:
 Pages