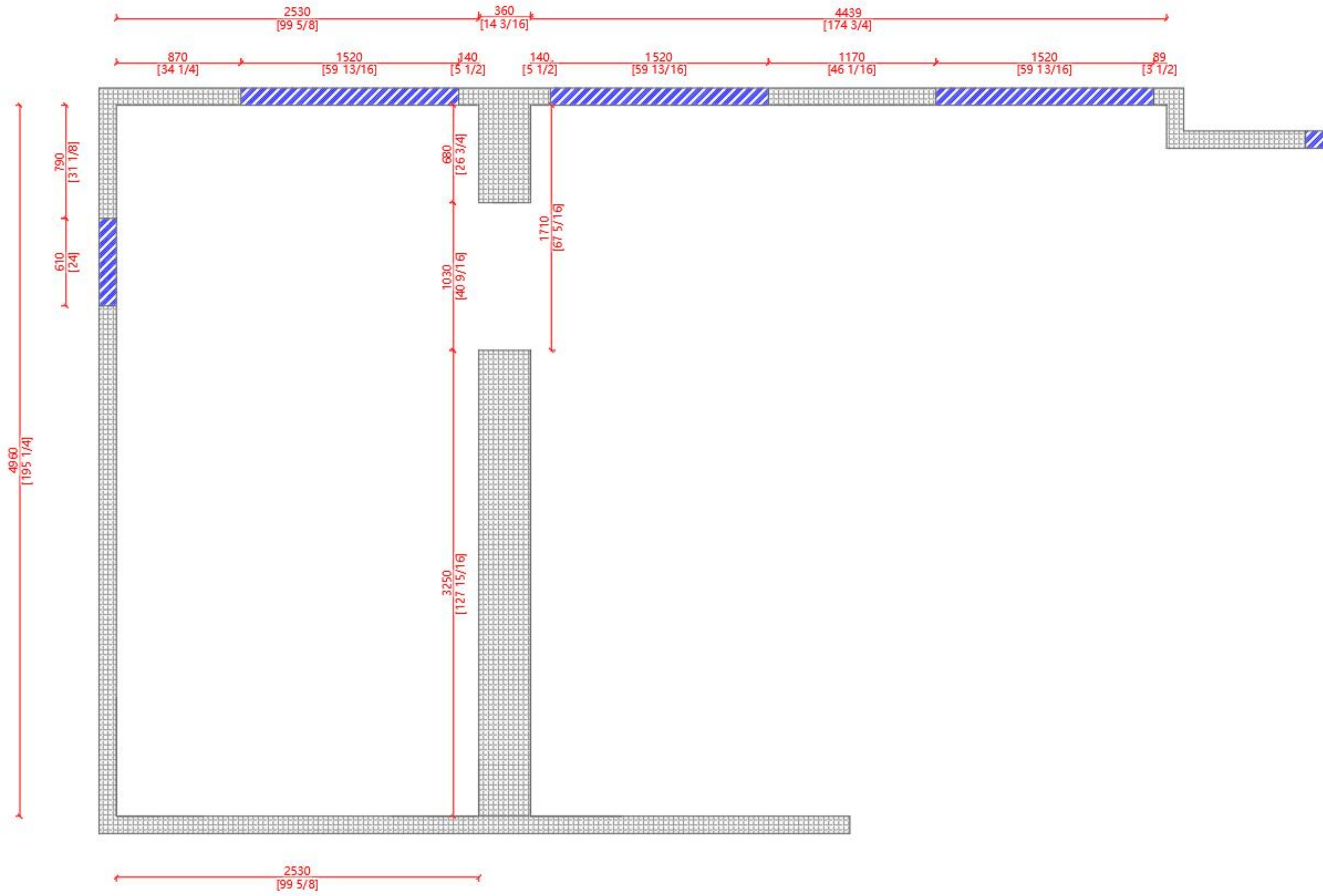


**Kitchen**



# WAYMOVE


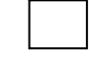

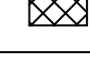

Order No: LEIUS20231123001A

Client Name: Shams

Email:

Client Address:

Room Space: Kitchen

Carcass	
Material	
Door	
Material	
Door	
Shape	

Drawer Handle:

Door Handle:

Remark:

Design Date:

Lead Time: 10-12 Weeks

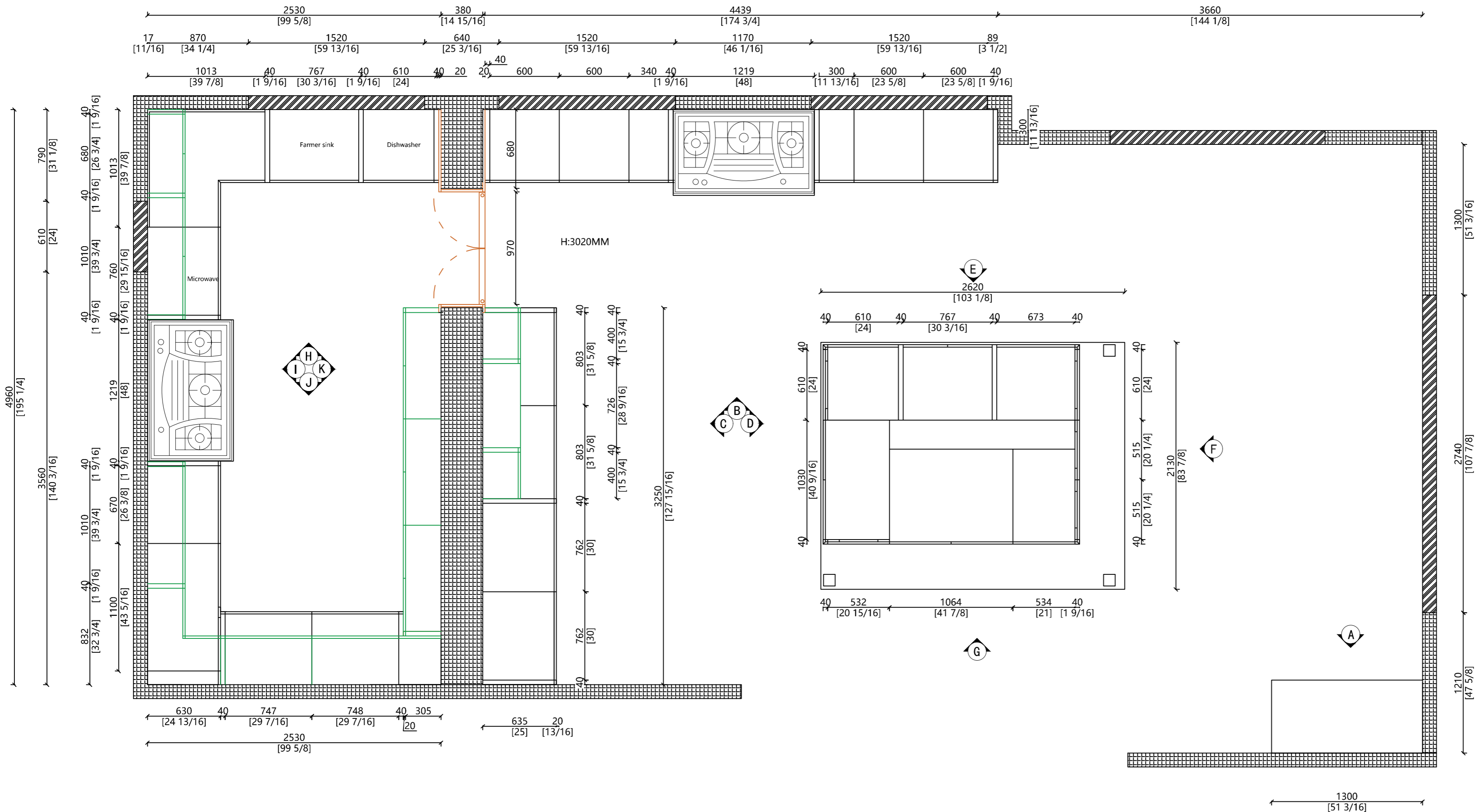
Consignee:

Date:

Designer:

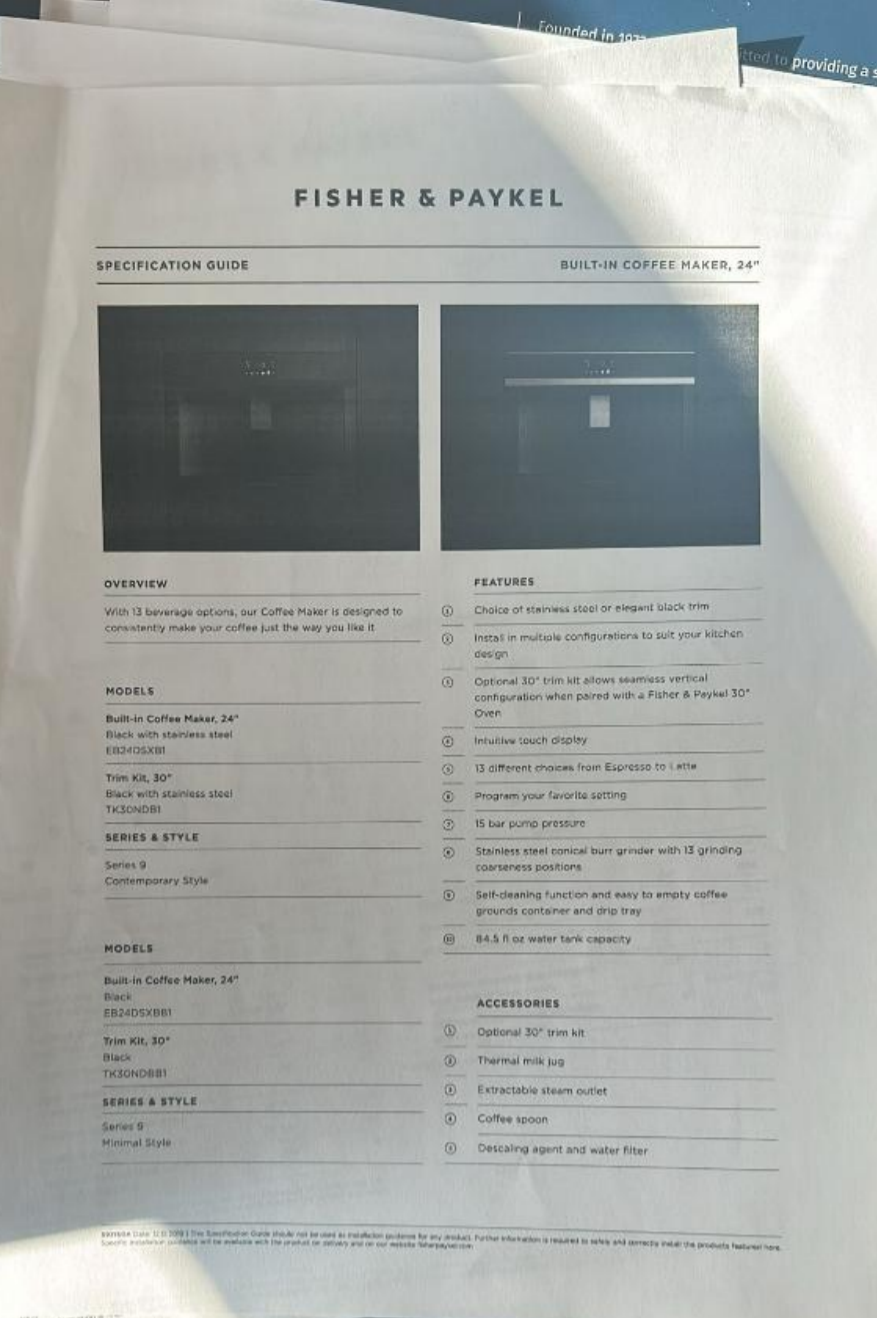
Tel:

Pages



# **Kitchen-Coffee station**

# Built-in Coffee Maker, 24"



CABINETY DIMENSIONS		EB24 MODELS
		inches (mm)
①	Minimum inside width of cavity	22 1/16" (560)
②	Overall width of cabinetry	23 5/8" (600)
③	Minimum inside height of cavity	17 3/4" (450)
④	Overall height of cabinetry	18 1/8" (460)
⑤	Minimum inside depth of cavity	21 7/16" (545)
⑥	Ventilation Air Gap	2" (50)

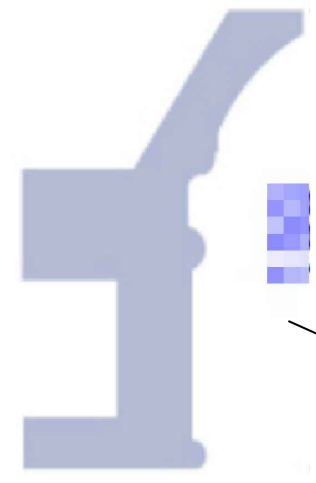
# Refrigerator

## Specifications

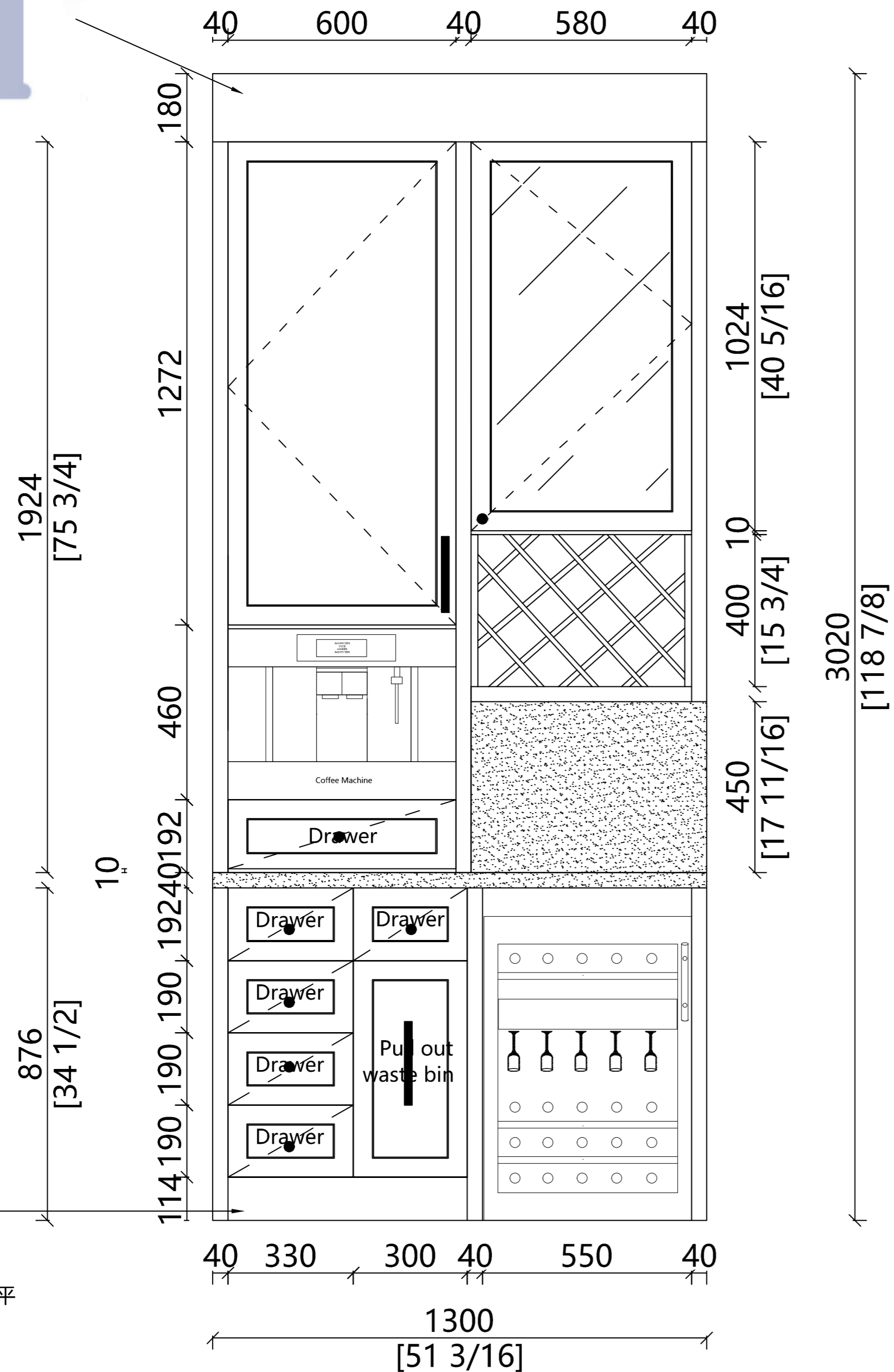


# Coffee station

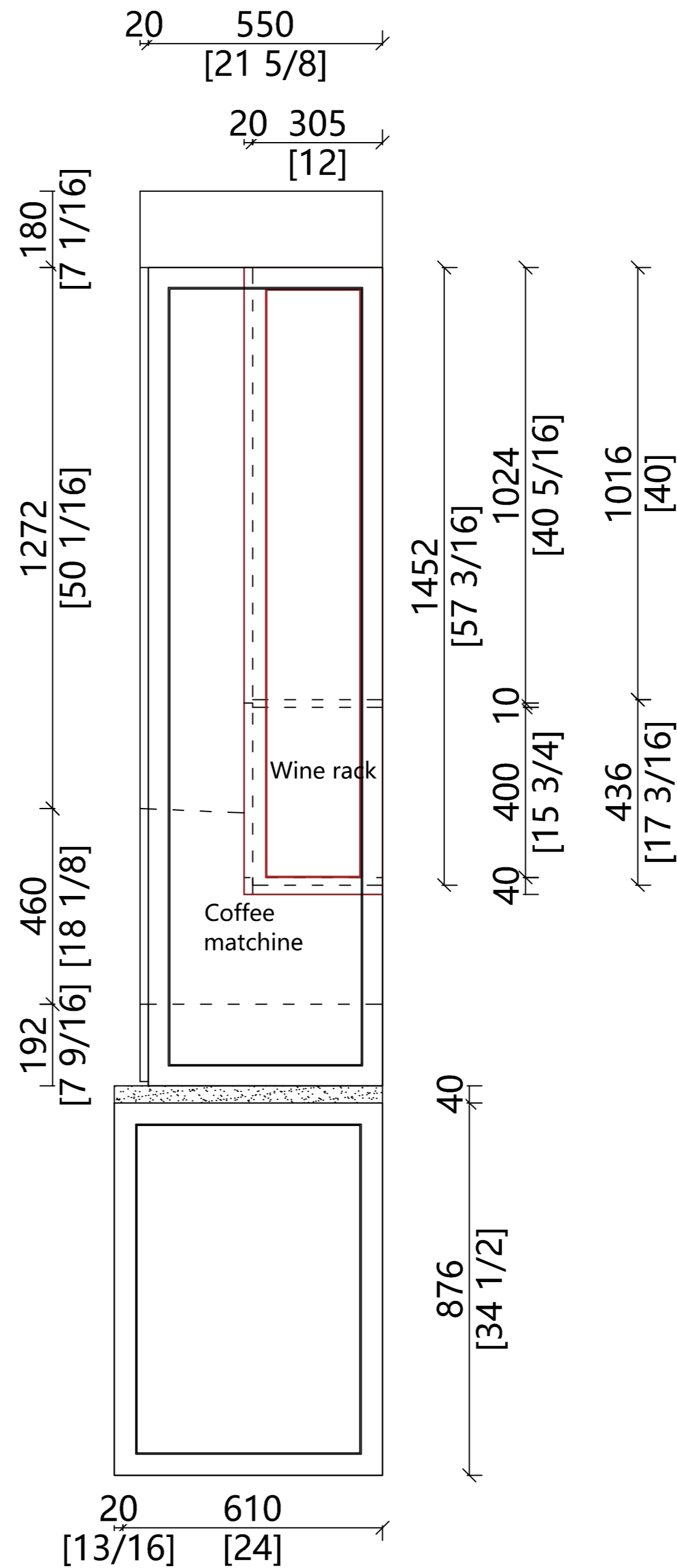




踢脚板不内缩，和门板水平



**ELEVATION A**



**RIGHT SIDE**

**WAYMOVE**

Order No: LEIUS20231123001A

Client Name: Shams

Email:

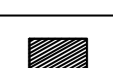
Client Address:

Room Space: Kitchen

Coffee station

Carcass

Material



Door

Material



Door

Shape



Drawer Handle:

Door Handle:

Remark:

Design Date:

Lead Time: 10-12 Weeks

Consignee:

Date:

Designer:

Tel:

Pages

# WAYMOVE

Order No: LEIUS20231123001A

Client Name: Shams

Email:

Client Address:

Room Space: Kitchen

Coffee station

Carcass

Material



Door

Material



Door

Shape



Drawer Handle:

Door Handle:

Remark:

Design Date:

Lead Time: 10-12 Weeks

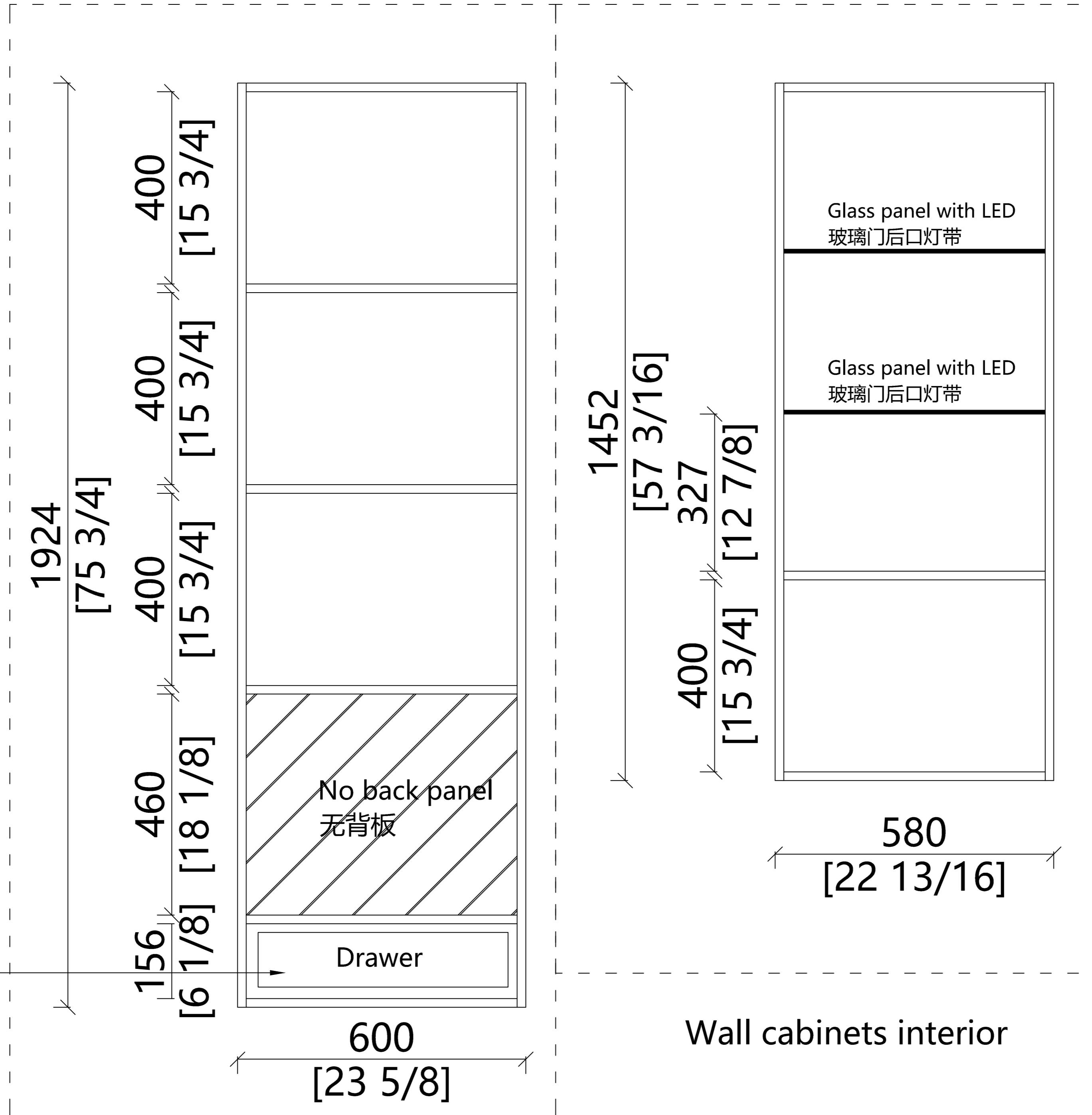
Consignee:

Date:

Designer:

Tel:

Pages



Wall cabinets interior

# Kitchen



# Dual Fuel Range, 48"

**FISHER & PAYKEL**

**SPECIFICATION GUIDE** **DUAL FUEL RANGE, 48"**

**SPECIFICATIONS**

Model No. R2V3-48B-A, R2V3-48B-L, R2V3-48B2D-A, R2V3-48B2D-L

Dimensions: 35 3/4" (908-933mm) x 47 5/8" (1207mm) x 29 1/8" (740mm)

Product weight: 660lb (299kg)

Total oven capacity: 4.8 cu. ft. (136L)

Main: 2.1 cu. ft. (59L)

Secondary: 2.7 cu. ft. (76L)

Door Clearance: 10 1/8" (260mm)

Electrical: 120/240VAC, 60Hz

Service: 50-amp circuit

Neutral: 4-prong grounding type (NEMA 14-50 plug)

Max. current draw: 44A

Gas: Natural Gas 6" to 3" VC.P. LP Propane 6" to 1/4" VC.

Connection: 1/2" NPT Maximum 5/8" dia. Gas line

**SUPPLY AREA DIMENSIONS**

Distance from either edge of range to supply area: 1 1/2" (38mm)

Height of gas and electrical supply area (from floor): 6" (152mm)

Depth of supply area (to maximum protrusion of gas connection from wall): 7" (178mm)

**PRODUCT DIMENSIONS**

Overall height (from floor to countertop, back panel and vent line): min 35 3/4" (908mm), max 36 3/4" (933mm)

Overall width: 47 5/8" (1207mm)

Overall depth (incl. handles and dial): 29 1/8" (740mm)

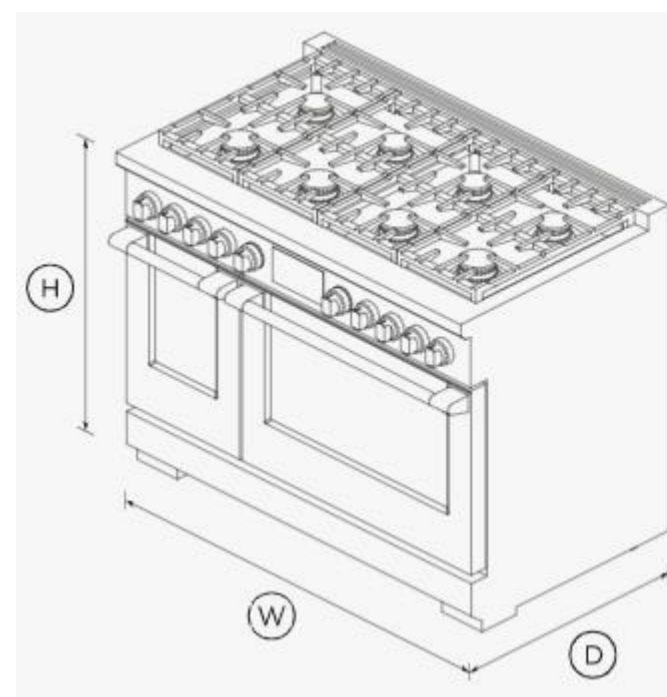
**CAVITY DIMENSIONS: STANDARD INSTALLATION**

Overall height of cavity\* (for level counter + with range leveling legs fully extended): min 35 3/4" (908mm), max 36 3/4" (933mm)

Overall width of cavity: 48" (1219mm)

Maximum depth of cavity (projecting control panel + flush control panel): min 25 1/8" (638mm), max 27 1/8" (703mm)

\* depending on height of range



<b>Height</b>	35 <sup>3</sup> / <sub>4</sub> - 36 <sup>3</sup> / <sub>4</sub> "
<b>Width</b>	47 <sup>7</sup> / <sub>8</sub> "
<b>Depth</b>	29 <sup>1</sup> / <sub>8</sub> "

# Dishwasher

**QUICK REFERENCE GUIDE** > DW24L21

**Integrated Dishwasher, 24"**

Series 5 | Integrated

Panel Ready

**DIMENSIONS**

Height: 32 5/16 - 36 1/2"

Width: 23 3/4"

Depth: 22 3/4"

**FEATURES & BENEFITS**

**SIZED TO SUIT**  
Install this fully integrated dishwasher to tall (American size) or short (Euro/ADA size) counter heights, ensuring minimal gaps. Customize with a front panel to match kitchen cabinetry.

**A QUALITY WASH**  
This dishwasher offers six wash programs including Auto, which automatically senses the optimal wash cycle for your dishes. A three stage filtration system delivers a superior clean, while the rinse aid indicator reminds you to top up for squeaky-clean.

**FISHER & PAYKEL**

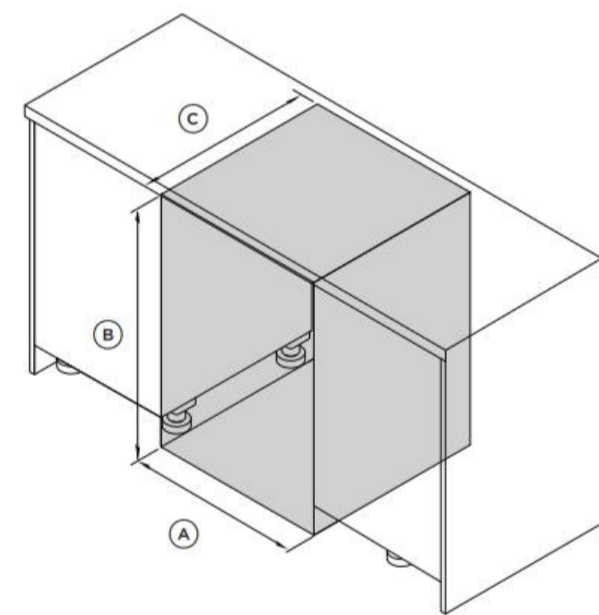
**SPECIFICATIONS**

Accessories: Kickstrip

Accessories (sold separately):  
Door panel stainless steel: AD-DW ADA  
Handle kit Contemporary: AHS-OBDD-60S, AHDS-OBDD-60SX, AHDS-OBDD-60SB, AHDS-OBDD-60S  
Handle kit Professional round: AHP1-DWDD-5X

Capacity and loading: Accommodates round plates: 10 1/4", Fold down tines: -, Height adjustable top basket: -, Place settings: 12, Wine glass supports: -

Consumption



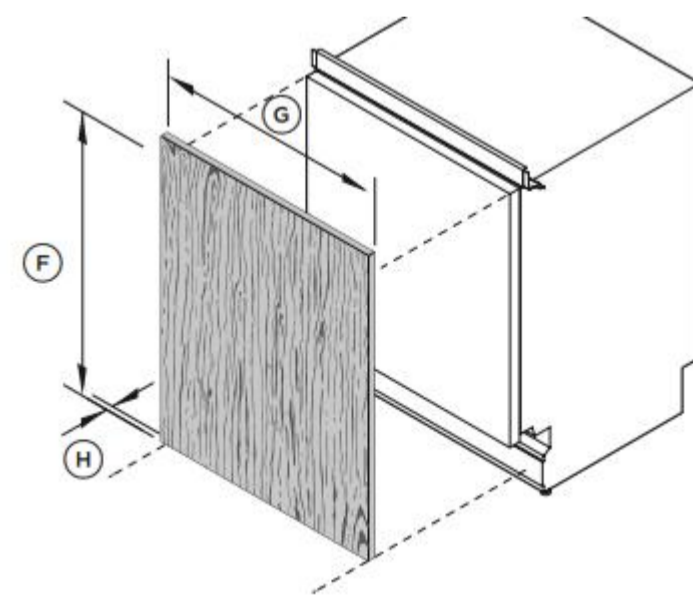
## Identify install method

Based on your cabinetry dimensions, identify the appropriate installation method. For further cabinetry dimensions, refer to pages 8-9

## Standard install

CABINERY DIMENSIONS	in	mm
A Inside width of cavity	24	610
B Inside height of cavity*	34 - 36 1/2	864- 927
C Inside depth of cavity**	24	610

\* depending on adjustment of levelling feet  
\*\* incl. 3/4" (19mm) panels



## DOOR PANEL DIMENSIONS

	CUSTOM PANEL	
	in	mm
F Height*	28 1/4 - 30 1/4	717 - 769
G Width*	23 7/16 - 23 13/16	596 - 605
H Depth*	5/8 - 3/4	16-19

# Belfast

dink: 762\*508\*254mm

# Refrigerator & Freezer

### FISHER & PAYKEL

#### SPECIFICATION GUIDE 30" INTEGRATED COLUMN REFRIGERATOR

**SPECIFICATIONS**

Model No. RS3084FLJ, RS3084FLJK1, RS3084SR1, RS3084SRK1  
 Dimensions: H 84" x W 29 3/4" x D 24"  
 Door Clearance: 3/4"  
 Door Hinge: HATCH RCS  
 Electrical: 115 VAC, 60 Hz  
 Service: 15 Amp circuit  
 Refrigerant: R-600a (isobutane)

**ELECTRICAL**

**PRODUCT DIMENSIONS**

**CAVITY DIMENSIONS: STANDARD INSTALLATION**

IN	MM	IN	MM
Overall height of product	84"	2134	2134
Overall width of product	29 3/4"	756	762
Overall depth of product	24"	610	635
Depth of toekick (incl. front panel)	2 7/8" - 4"	68 - 102	3
Height of toekick*	2" - 4"	51 - 102	4"
Depth of door (incl. opening) measured from back of door	32"	813	1 1/8"
Height of product front panel (incl. handle)	79 3/8"	2029	Minimum required finished return, sides and top of cavity
Width of product front panel (incl. handle)	29 3/4"	756	Minimum door cabinet gap clearance
Depth of product front panel (incl. handle)	3 1/4"	79	Minimum required finished return, sides and top of cavity

© 2014 Fisher & Paykel. Product dimensions may vary from those shown in the Specification Guide. The Information Specification Guide should not be used as installation instructions for any product. Fisher & Paykel is not responsible for any damage to property caused by the use of the product. Fisher & Paykel is not responsible for any damage to property caused by the use of the product. Fisher & Paykel is not responsible for any damage to property caused by the use of the product.

### SPECIFICATIONS

**Height** 84"

**Width** 29 3/4"

**Depth** 24"

### FISHER & PAYKEL

#### SPECIFICATION GUIDE 30" INTEGRATED COLUMN FREEZER

**SPECIFICATIONS**

Model No. RS3084FLJ, RS3084FLJK1, RS3084SR1, RS3084SRK1  
 Dimensions: H 84" x W 29 3/4" x D 24"  
 Door Clearance: 3/4"  
 Door Hinge: HATCH RCS  
 Electrical: 115 VAC, 60 Hz  
 Service: 15 Amp circuit  
 Refrigerant: R-600a (isobutane)

**PLUMBING AND ELECTRICAL**

**PRODUCT DIMENSIONS**

**CAVITY DIMENSIONS: STANDARD INSTALLATION**

IN	MM	IN	MM
Overall height of product	84"	2134	2134
Overall width of product	29 3/4"	756	762
Overall depth of product	24"	610	635
Depth of toekick (incl. front panel)	2 7/8" - 4"	68 - 102	3
Height of toekick*	2" - 4"	51 - 102	4"
Depth of door (incl. opening) measured from back of door	32"	813	1 1/8"
Height of product front panel (incl. handle)	79 3/8"	2029	Minimum required finished return, sides and top of cavity
Width of product front panel (incl. handle)	29 3/4"	756	Minimum door cabinet gap clearance
Depth of product front panel (incl. handle)	3 1/4"	79	Minimum required finished return, sides and top of cavity

© 2014 Fisher & Paykel. Product dimensions may vary from those shown in the Specification Guide. The Information Specification Guide should not be used as installation instructions for any product. Fisher & Paykel is not responsible for any damage to property caused by the use of the product. Fisher & Paykel is not responsible for any damage to property caused by the use of the product. Fisher & Paykel is not responsible for any damage to property caused by the use of the product.

### SPECIFICATIONS

**Height** 84"

**Width** 29 3/4"

**Depth** 24"

RS3084FLJ1 / RS3084FLJK1  
 Stainless Steel Door Panel RD3084L4D  
 RS3084SR1 / RS3084SRK1  
 Stainless Steel Door Panel RD3084R4D  
 Stainless Steel Toe Kick AKR560041  
 SUPPLY AREA

#### DATA SHEET

##### 30" Freezer + 30" Fridge - Stainless Steel Integrated Columns

Model no: RS3084FLJ1 / RS3084FLJK1 + RS3084SR1 / RS3084SRK1 shown. (Various models available to swap units to opposite sides, hinge doors both left, both right or at the outsides as shown here). (refer page 2 for metric measurements)

**IMPORTANT!**  
 For ease of installation, ensure cavity has consistent dimensions top to bottom and left to right.

Clearance Dimensions	in
Overall height of cavity	84"
Overall width of cavity	60"
Minimum depth of cavity*	25"
Width of supply area behind individual fridge or freezer	30"
Height of supply area	9"
Height at sides of supply area	5"
Width from side of supply area	1/2"
Combined width in from side of supply areas	1"
Depth of supply area	1"
Minimum door cabinet gap clearance	1/8"

Optional Stainless Steel Panel Dimensions	in
Height of door panel	79 7/8"
Width of door panels	29 3/4"
Depth of door panels	3/4"
Height of toe kick panel	3 15/16"
Width of toe kick panel	59 13/16"

\* With cavity at minimum depth, electrical and water connections must be within the supply area shown if located behind the appliance, and must not protrude from the back wall. Connections may be located in an adjacent cabinet to either side of the fridge.

HANDLES: Handle Kits are sold separately. Shown with handle kit ADH3-RD4. Other style options available.

# Oven

### FISHER & PAYKEL

#### SPECIFICATION GUIDE CONVECTION SPEED OVEN, 30"

**SPECIFICATIONS**

Model No. CO3084F01  
 Dimensions: H 45 1/2" (1155mm) x W 29 1/8" (739mm) x D 23 1/4" (595mm)  
 Total capacity: 5.1 cu ft (143L)  
 Electrical: 120V / 208V / 240V 60Hz  
 Service: 15 Amp circuit  
 Refrigerant: None

**PRODUCT DIMENSIONS**

**CAVITY DIMENSIONS: STANDARD INSTALLATION**

IN	MM	IN	MM
Overall height of speed oven	45 1/2"	1155	1155
Overall width of speed oven	29 1/8"	739	745
Overall depth of speed oven	23 1/4"	595	600
Depth of speed oven from frame and control panel	1 9/16"	38	1 1/2"
Minimum inside height of cavity*	38 3/8"	977	Minimum inside width of cavity
Minimum inside width of cavity	23 1/8"	590	Minimum inside depth of cavity
Minimum inside depth of cavity measured from rear of front frame	22 1/4"	569	Minimum door cabinet gap clearance

© 2014 Fisher & Paykel. Product dimensions may vary from those shown in the Specification Guide. The Information Specification Guide should not be used as installation instructions for any product. Fisher & Paykel is not responsible for any damage to property caused by the use of the product. Fisher & Paykel is not responsible for any damage to property caused by the use of the product. Fisher & Paykel is not responsible for any damage to property caused by the use of the product.

# Kitchen





# Kitchen



# WAYMOVE



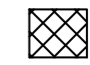
Order No: LEIUS20231123001A

Client Name: Shams

Email:

Client Address:

Room Space: Kitchen

Carcass Material	
Door Material	
Door Shape	

Drawer Handle:

Door Handle:

Remark:

Design Date:

Lead Time: 10-12 Weeks

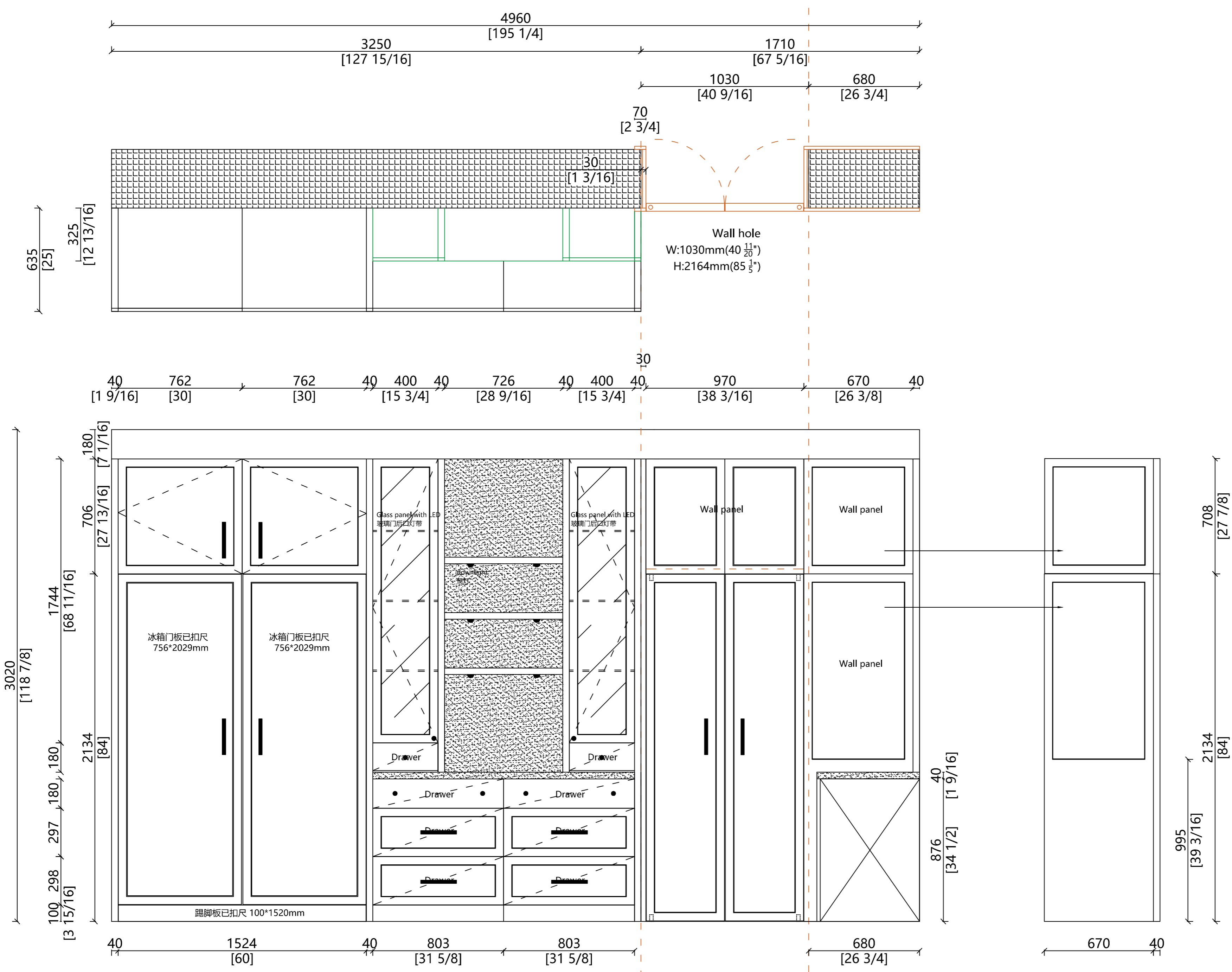
Consignee:

Date:

Designer:

Tel:

Pages



# Kitchen-Island



# WAYMOVE

Order No: LEIUS20231123001A

Client Name: Shams

Email:

Client Address:

Room Space: Kitchen

Carcass	
Material	
Door	<input type="checkbox"/>
Material	
Door	<input checked="" type="checkbox"/>
Shape	<input type="checkbox"/>

Drawer Handle:

Door Handle:

Remark:

Design Date:

Lead Time: 10-12 Weeks

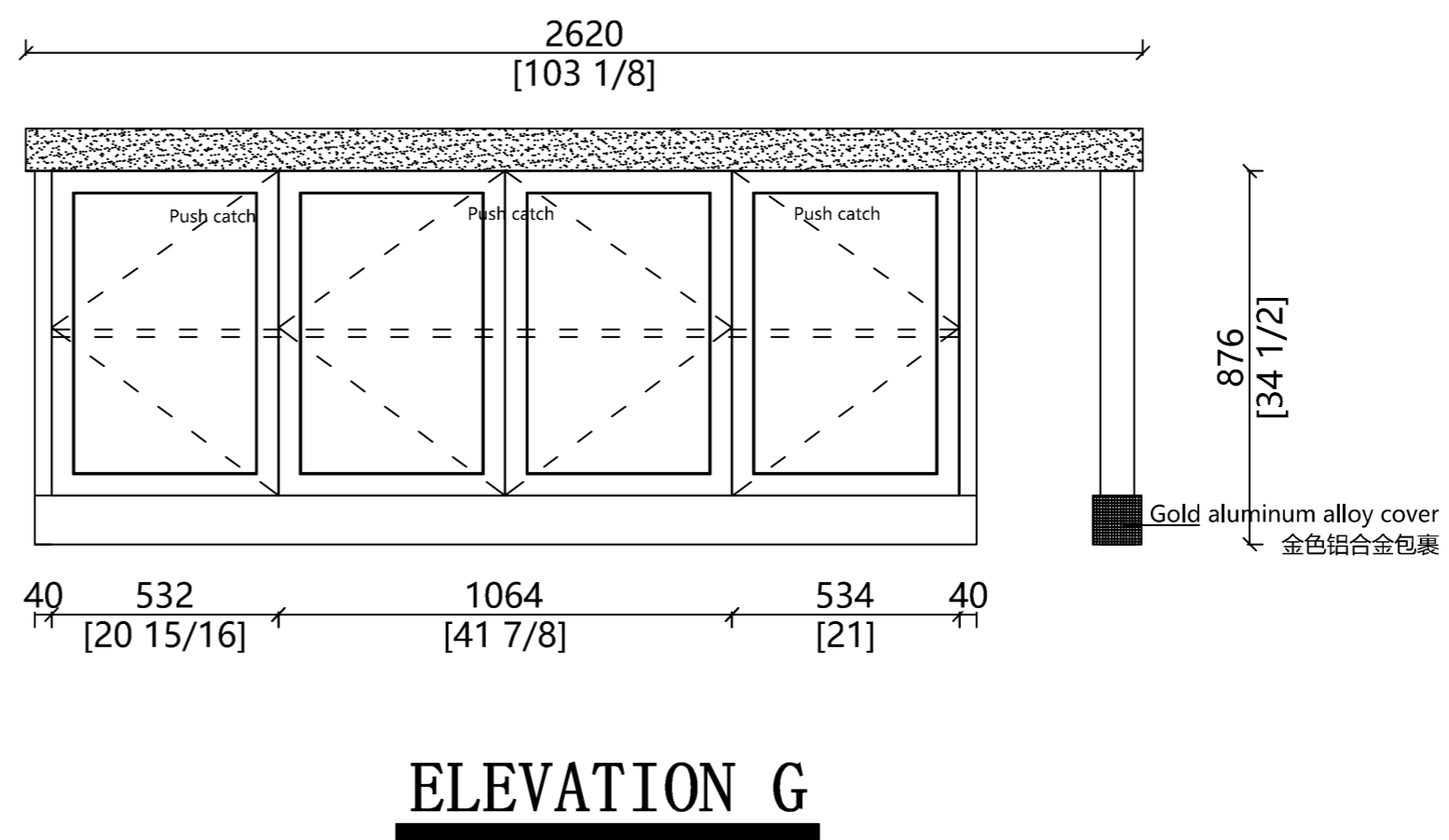
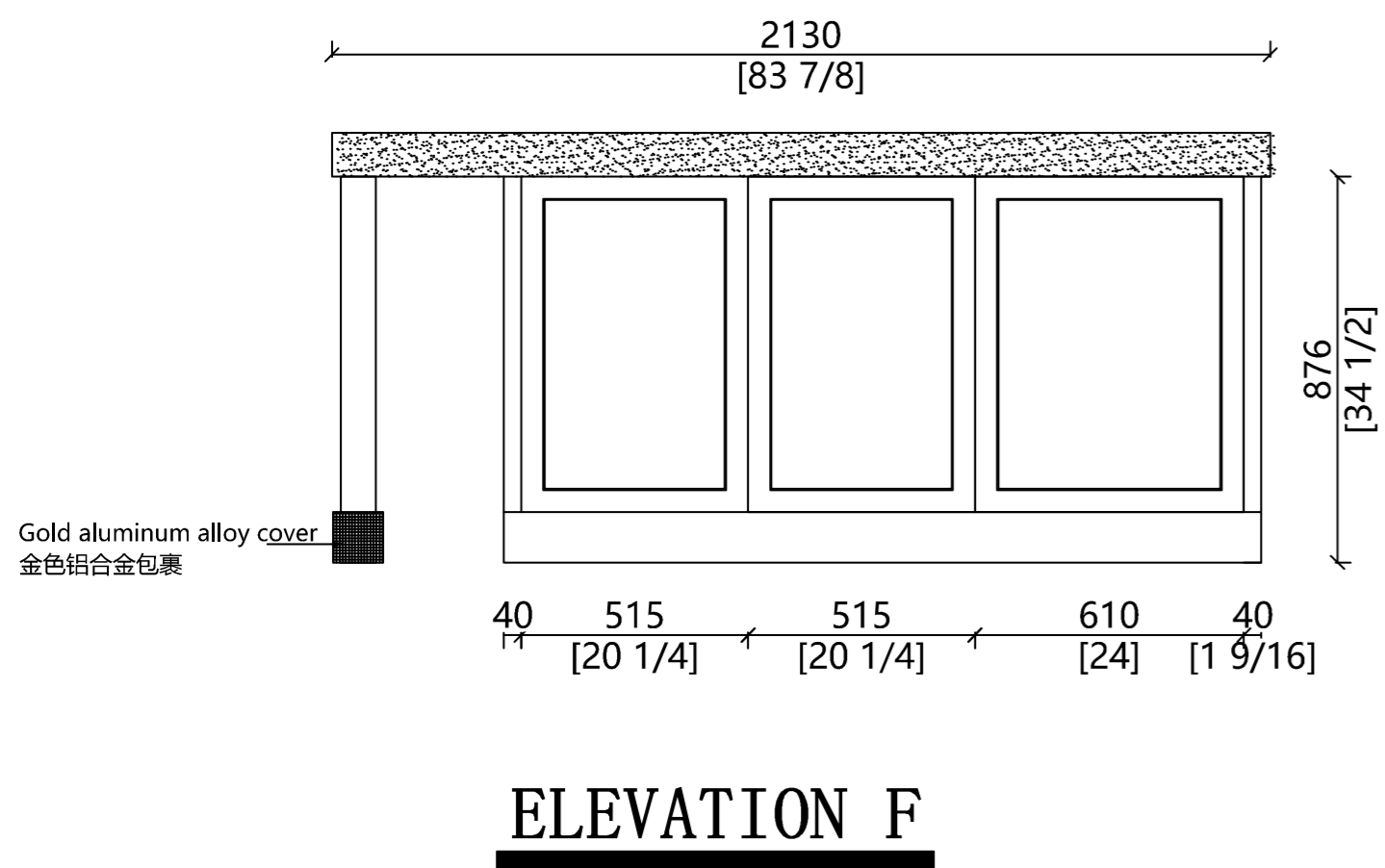
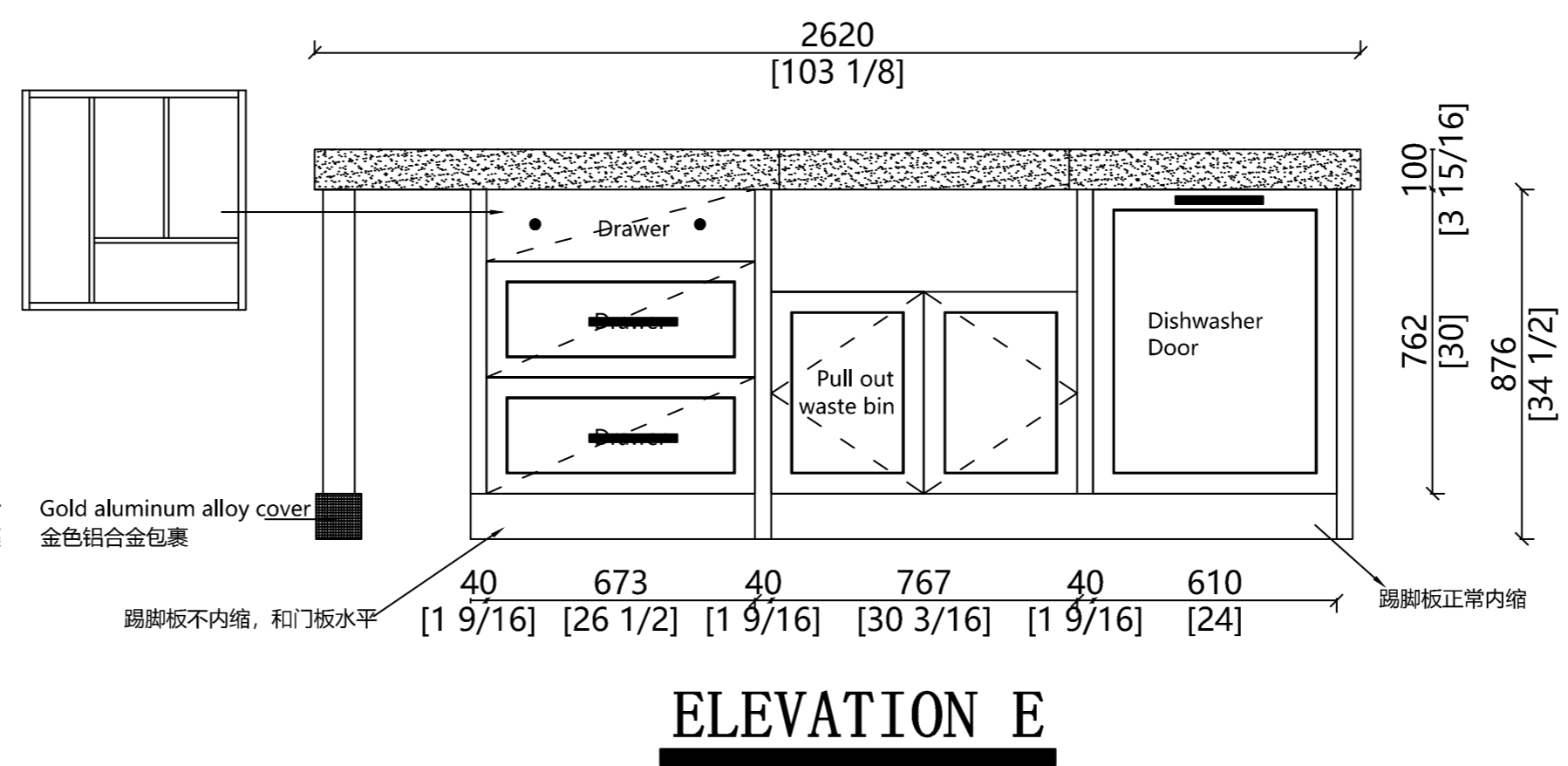
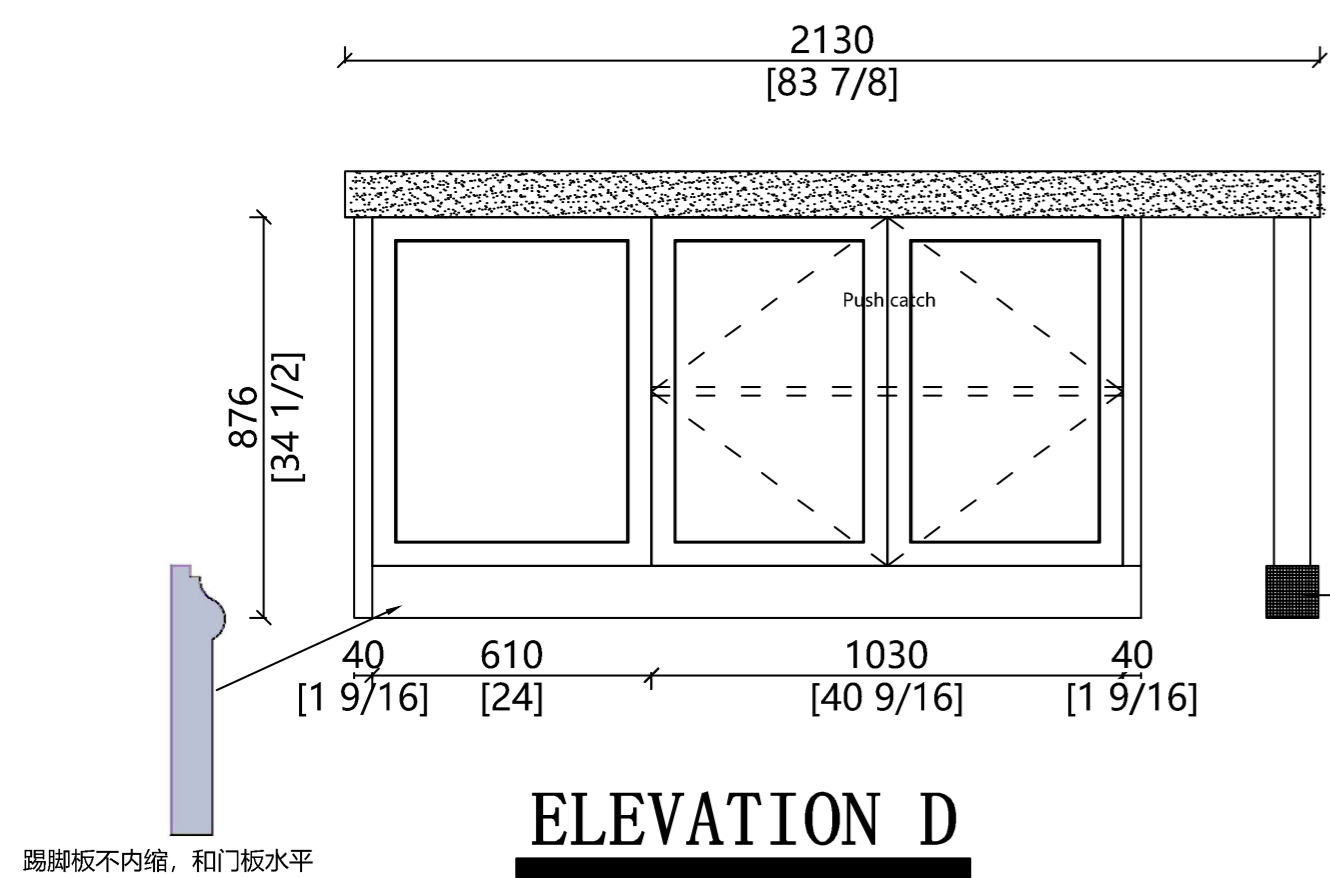
Consignee:

Date:

Designer:

Tel:

Pages



# Kitchen



**WAYMOVE**


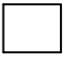


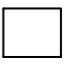
Order No: LEIUS20231123001A

Client Name: Shams

Email:

Client Address:

Room Space: Kitchen

Carcass	
Material	
Door	
Material	
Door	
Shape	

Drawer Handle:

Door Handle:

Remark:

Design Date:

Lead Time: 10-12 Weeks

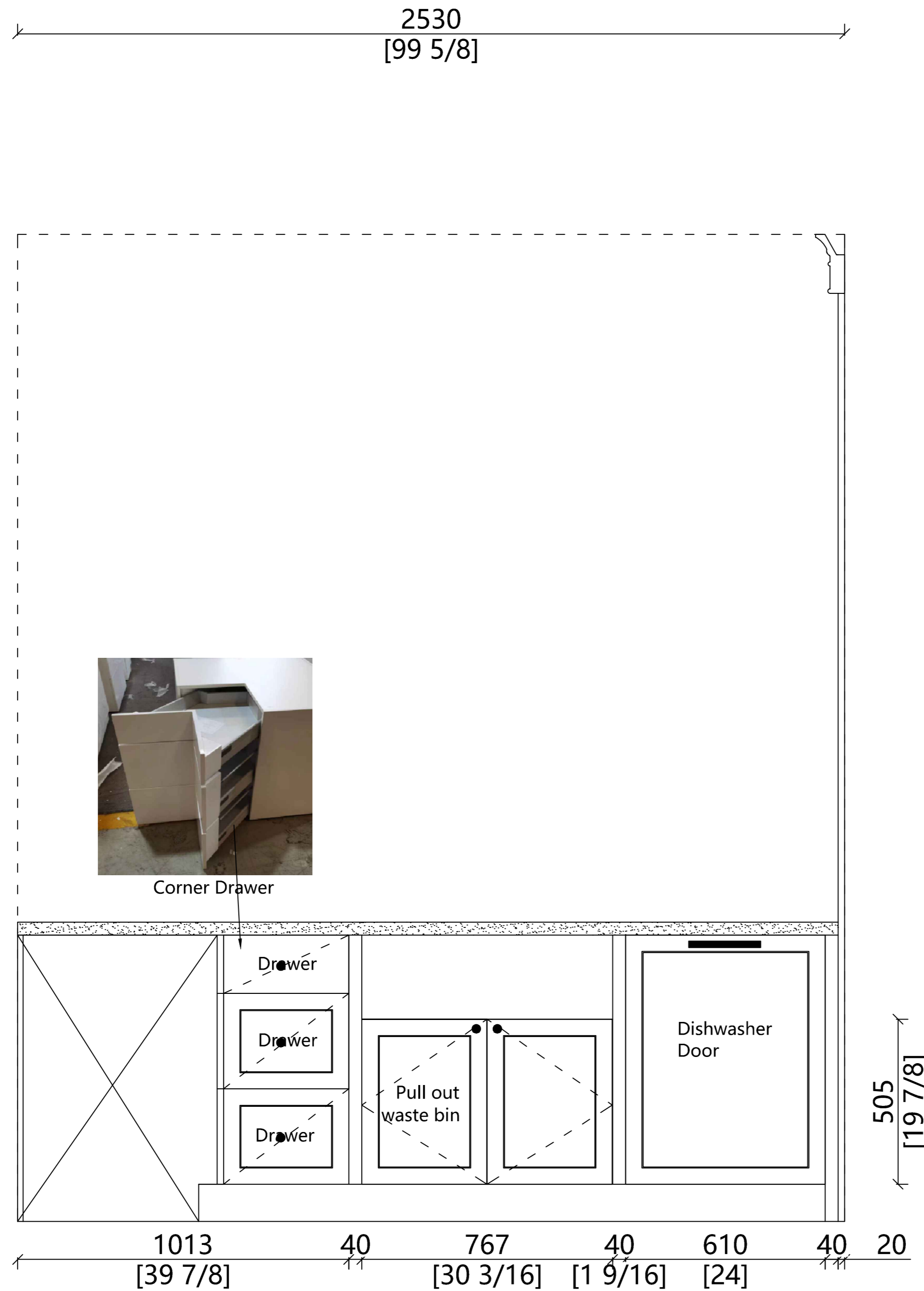
Consignee:

Date:

Designer:

Tel:

Pages



**ELEVATION H**

# Kitchen



# WAYMOVE



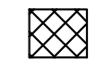

Order No: LEIUS20231123001A

Client Name: Shams

Email:

Client Address:

Room Space: Kitchen

Carcass Material	
Door Material	
Door Shape	
	

Drawer Handle:

Door Handle:

Remark:

Design Date:

Lead Time: 10-12 Weeks

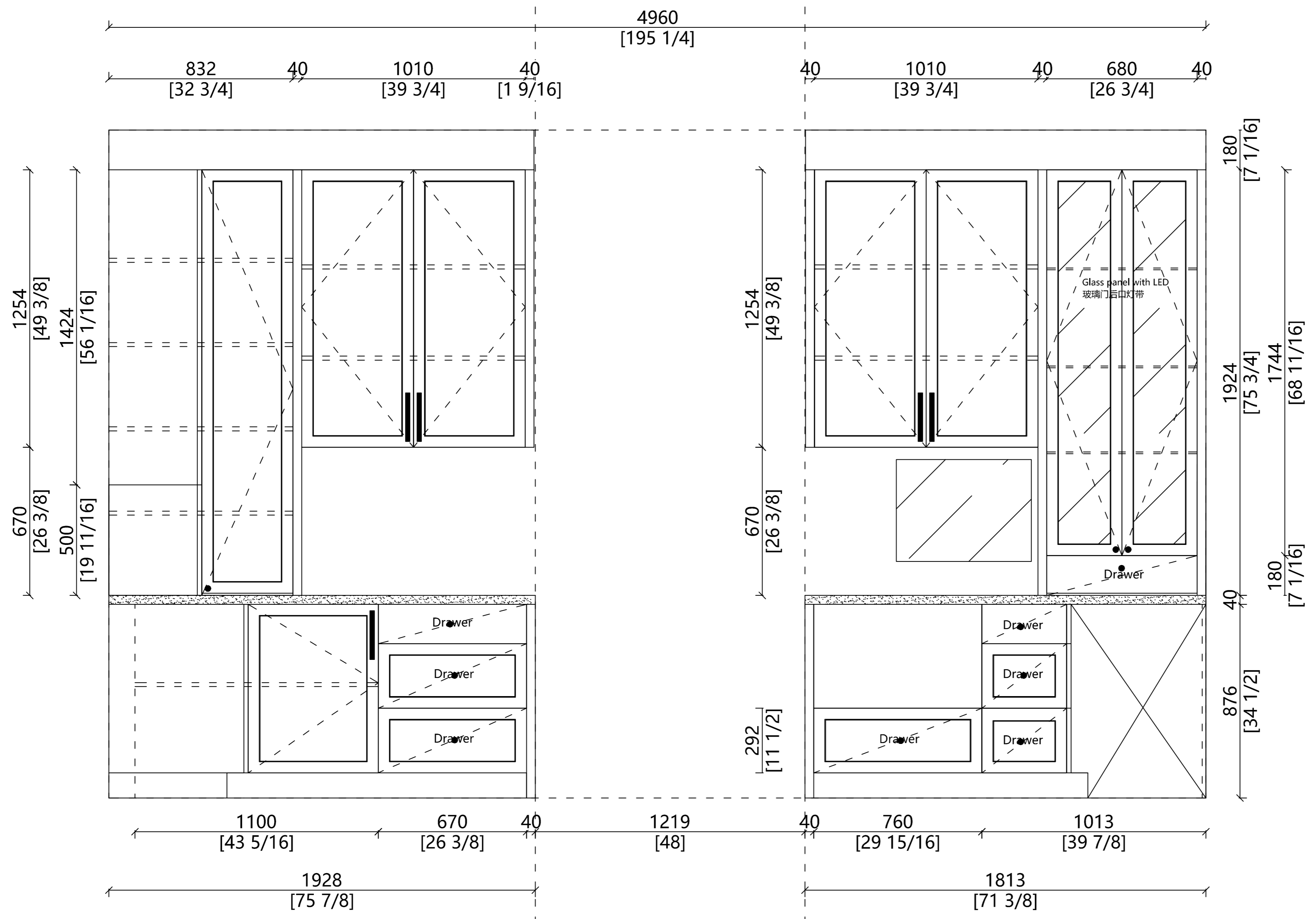
Consignee:

Date:

Designer:

Tel:

Pages



## ELEVATION I

# Kitchen





Order No: LEIUS20231123001A

Client Name: Shams

Email:

Client Address:

Room Space: Kitchen

Carcass Material	
Door Material	
Door Shape	

Drawer Handle:

Door Handle:

Remark:

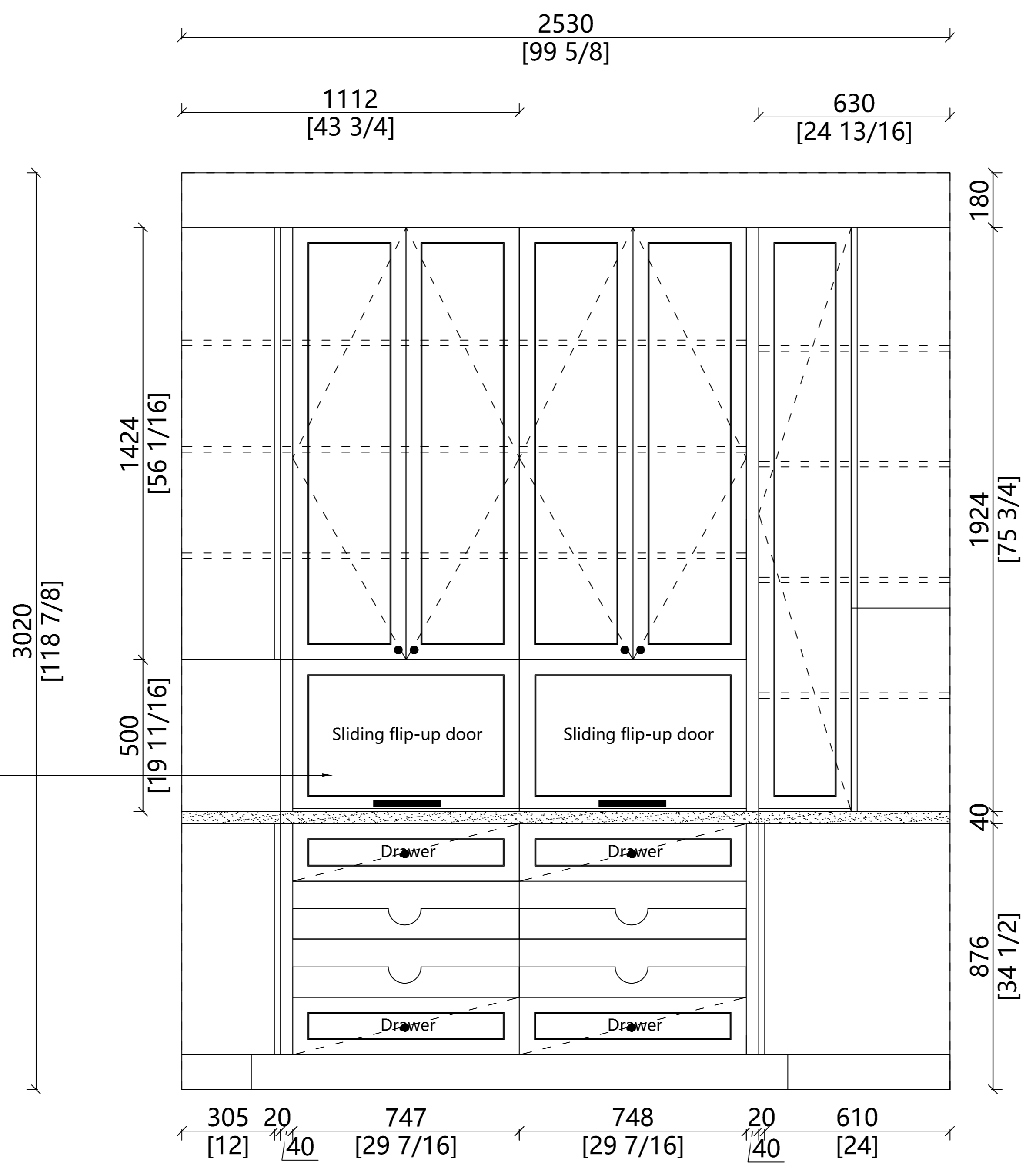
Design Date:

Lead Time: 10-12 Weeks

Consignee:  
Date:

Designer:  
Tel:

Pages



**ELEVATION J**

# Kitchen



# WAYMOVE

Order No: LEIUS20231123001A

Client Name: Shams

Email: Shamsneyazi@hotmail.com

Client Address:

U.S.A

Room Space: Kitchen

Carcass	
Material	
Door	<input type="checkbox"/>
Material	
Door	<input checked="" type="checkbox"/>
Shape	<input type="checkbox"/>

Drawer Handle:

Door Handle:

Remark:

Design Date: 2/20/24

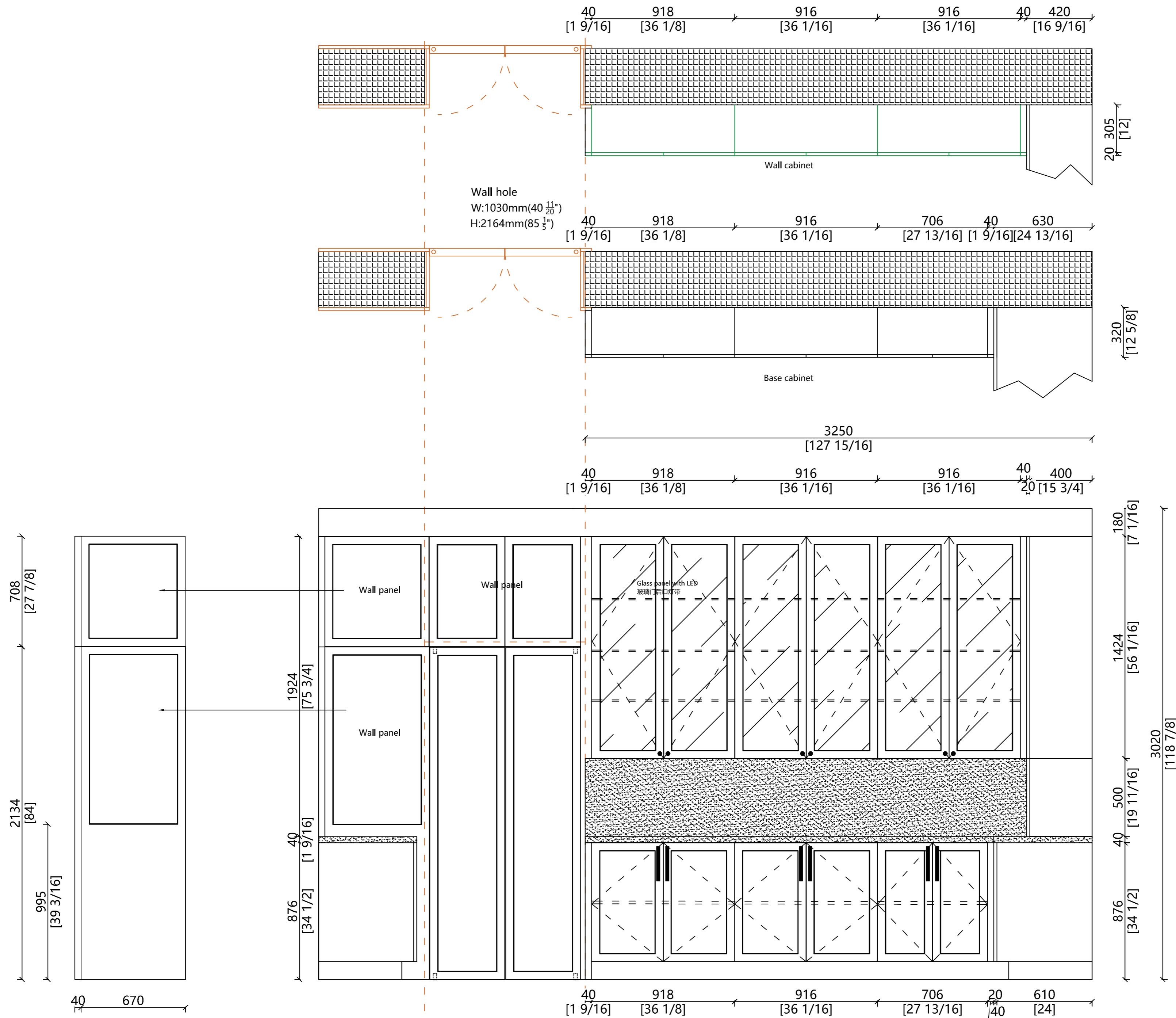
Lead Time: 10-12 Weeks

Consignee:

Designer:

Tel:

Pages



**ELEVATION K**